

ROHS

REV.	ECN NO	DESCRIPTION	REVISED	DATE
A		新订图面	KEVIN	2015.03.10

Specifications / 技术规格:

Current rating: 1A
 额定电流: 1A

Voltage rating: 50V AC,DC
 额定电压: 50V AC,DC

Insulation Resistance: 500MΩ Min.
 绝缘电阻: 最小500MΩ

Withstanding Voltage: 500V AC 1Min
 耐电压: 500V AC 1分钟

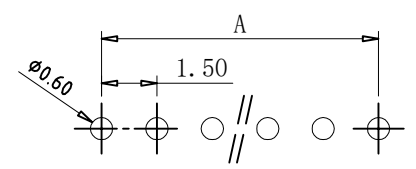
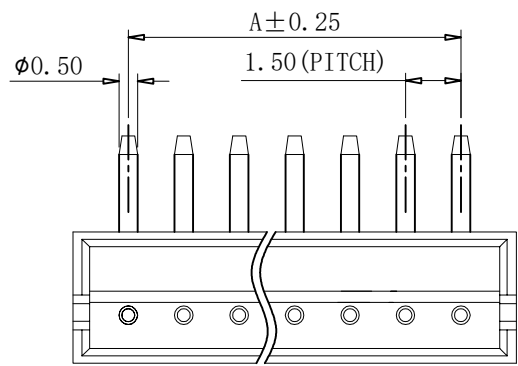
Contact Resistance: 20mΩ Max.
 接触电阻: 最大20mΩ

Operating Temperature: -25°C to +85°C
 工作温度: -25°C 到85°C

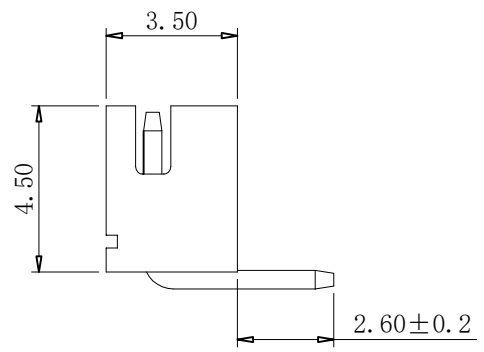
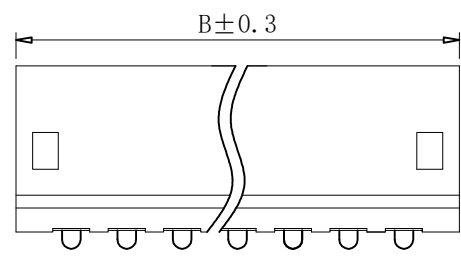
Materials / 材料:

Contact Material: Brass(plating Tin)
 接触端子材料: 黄铜(镀锡)

Insulation Material: PA or PBT UL94V-0 Natural
 绝缘体塑胶材质: PA 或 PBT UL94 V-0 本色



Recommended P.C.Board Hole Layout



CKT.	A	B
2	1.50	4.50
3	3.00	6.00
4	4.50	7.50
5	6.00	9.00
6	7.50	10.50
7	9.00	12.00
8	10.50	13.50
9	12.00	15.00
10	13.50	16.50
11	15.00	18.00
12	16.50	19.50
13	18.00	21.00
14	19.50	22.50
15	21.00	24.00
16	22.50	25.50

 浙江快利电子有限公司
 Zhejiang Kuaili Electronic Co., Ltd

GENERAL TOLERANCE	
X* ± 3'	.XXX : --
.X* ± 2'	.XX : ± 0.20
.XX* ± 1'	.X : ± 0.30
.XXX* ± 0.5'	X. : --

DESIGN:	KEVIN	DATE:	2015.03.10
CHECKED:		DATE:	
AUDITED:		DATE:	
APPROVED:		DATE:	

DWG. NO.	
PART NO.	KL-ZH-NAW

TITLE:	ZH-NAW
--------	--------

REV.	A	UNIT.	MM	SCALE.	1:1
