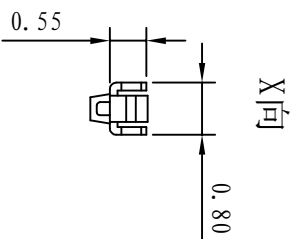
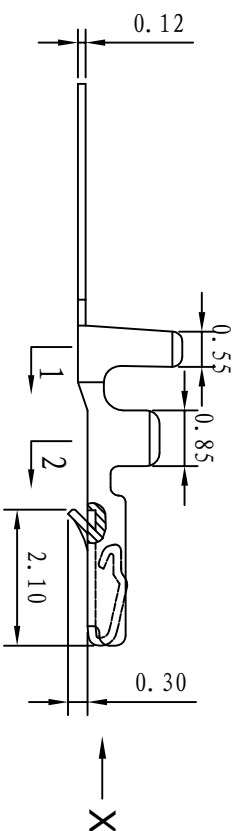
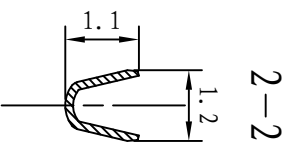
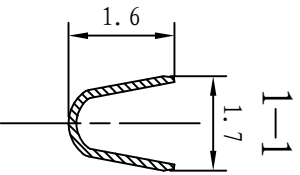
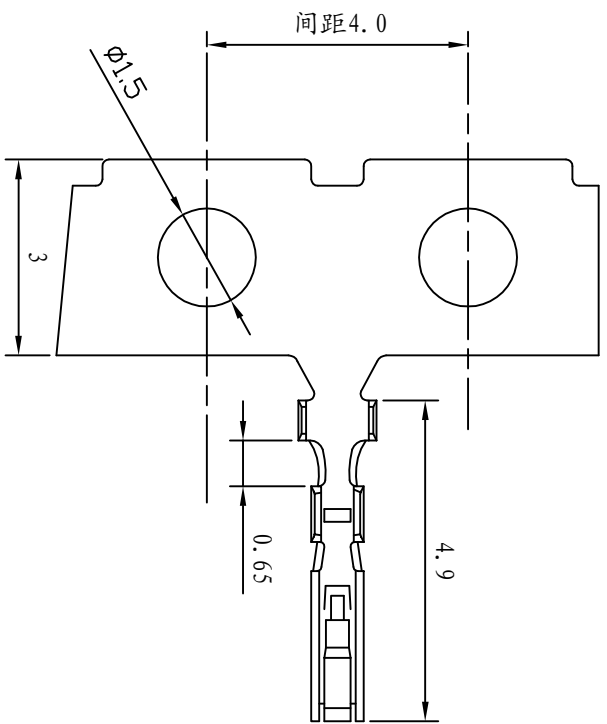
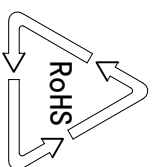


REV.	ECN NO	DESCRIPTION	REVISED	DATE
A		新订图面	HELLER	2020.6.6



材料名称	材料厚度	表面处理	适用导线规格	备注
锡青铜	0.12mm	镀锡	AWG32#~28#	



GENERAL TOLERANCE	
X' ± 3'	.XXX --
X' ± 2'	.XX ± 0.20
.XX' ± 1'	.X ± 0.30
.XXX' ± 0.5'	X. --

DESIGN:	HELLER	DATE:	20'.6.6
CHECKED:	朱建慧	DATE:	20'.6.6
APPROVED:	朱建华	DATE:	20'.6.6

DWG. NO.	PART NO.	TITLE.
	KL-ZGH-TE	ZGH-TE

浙江快利电子有限公司  
Zhejiang Kuaili Electronic Co., Ltd

REV. A UNIT. MM SCALE: ---

1 2 3 4 5 6 7 8 9

A B C D E F

A B C D E F