

REV.	ECN NO	DESCRIPTION	REVISED	DATE
A		新订图面	HELLER	2017.10.25
B	20230401001	更改2x7卡扣尺寸	HELLER	2023.04.01

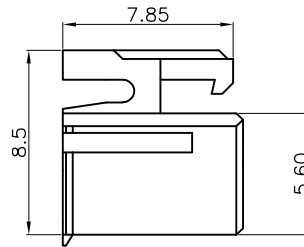
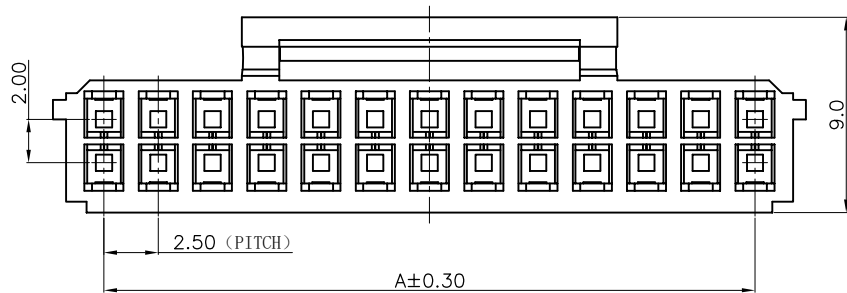
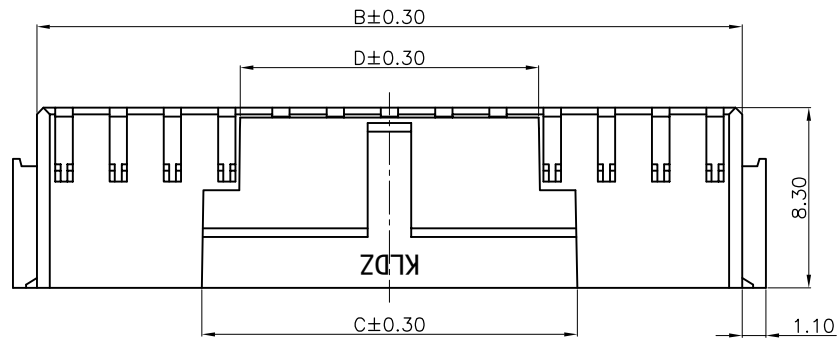
PIN数	尺寸 (mm)			
	A	B	C	D
2×4	7.5	10.0	5.90	3.65
2×5	10.0	12.5	8.30	5.85
2×6	12.5	15.0		
2×7	15.0	17.5	12.30	8.75
2×8	17.5	20.0		
2×9	20.0	22.5		
2×10	22.5	25.0	14.8	11.25
2×11	25.0	27.5		
2×12	27.5	30.0	17.30	13.75
2×13	30.0	32.5		
2×14	32.5	35.0		
2×15	35.0	37.5		
2×16	37.5	40.0		

**SPECIFICATIONS:**

1. Operation temperature : -25~+85° C;
2. Current rating: 3.0A;
3. Voltage rating: 250V DC/AC;
4. Insulation resistance: 1000MΩ min;
5. Dielectric voltage: 1000V AC /minute;
6. Environmental requirement: according to ROHS standard.

**MATERIAL:**

Insulation Material: PA or PBT UL94V-2



**浙江快利电子有限公司**  
ZheJiang KuaiLi Electronic Co., LTD.

**GENERAL TOLERANCE**

X.: ± 3'	X.: ± 0.35
.X: ± 2'	X.X: ± 0.30
.XX: ± 1'	X.XX: ± 0.20
.XXX: ± 0.5'	X.XXX: ± 0.10

DESIGN: HELLER

DATE: 2023-04-01

DWG. NO.

TITLE.

CHECKED: 张国旭

DATE: 2023-04-01

PART NO.

**XHD2.0-2XNY**

APPROVED: 王子林

DATE: 2023-04-01

KL-XHD2.0-2XNY

REV.	UNIT.	SCALE.	PROJ.
B	mm	-	