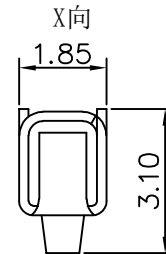
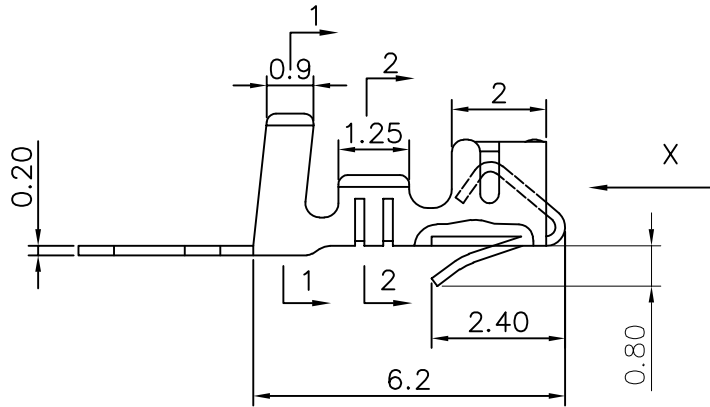
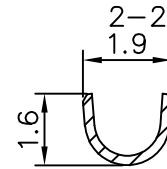
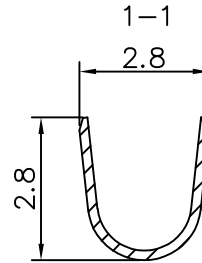
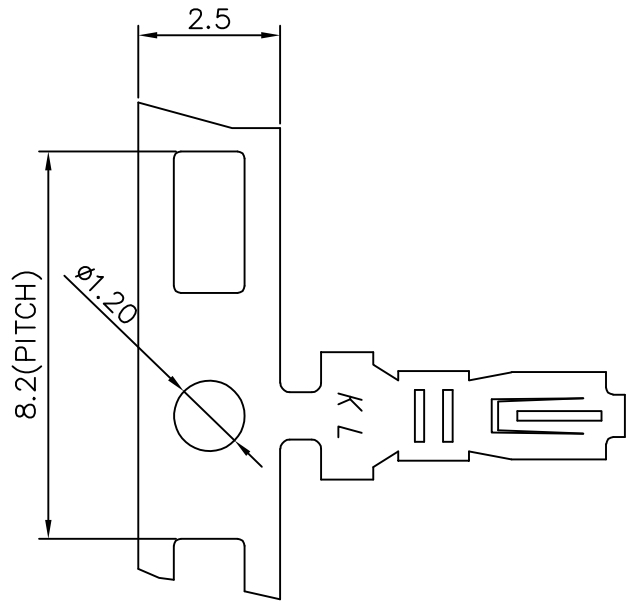


REV.	ECN NO	DESCRIPTION	REVISED	DATE
A		新订图面	KEVIN	2016.4.07



Specifications / 技术规格:

Current Rating: 3A
额定电流: 3A

Insulation Resistance: 1000M Ω Min.
绝缘电阻: 最小1000M Ω

Dielectric Withstanding: 1000V AC
耐电压: 1000V AC

Contact Resistance: 20m Ω Max.
接触电阻: 最大20m Ω

Operating Temperature: -25°C to +85°C
工作温度: -25°C 到 85°C

Materials / 材料:

Contact Material: Phosphor Bronze(Tin plating)
接触端子材料: 磷铜(镀锡)

 浙江快利电子有限公司
ZheJiang KuaiLi Electronic Co., LTD.

GENERAL TOLERANCE	
X.: $\pm 3^\circ$	X.: ± 0.35
.X: $\pm 2^\circ$	X.X: ± 0.25
.XX: $\pm 1^\circ$	X.XX: ± 0.15
.XXX: $\pm 0.5^\circ$	X.XXX: ± 0.10

DESIGN:	KEVIN	DATE:	2016-04-07
CHECKED:	李晓明	DATE:	2016-04-07
APPROVED:	朱建华	DATE:	2016-04-07

DWG. NO.	
PART NO.	KL-XHB-TE-003

TITLE.	XHB-TE (17.6)
--------	---------------

REV.	UNIT.	SCALE.	PAGE.	PROJ.
A	mm	-	1/1	