

REV.	ECN NO	DESCRIPTION	REVISED	DATE
A		新订图面	KEVIN	2015.03.10

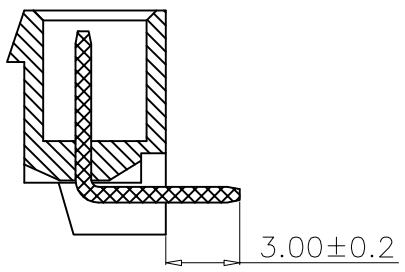
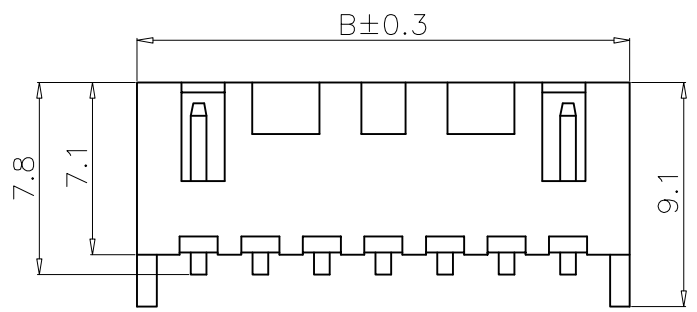
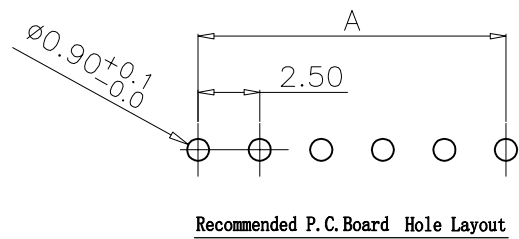
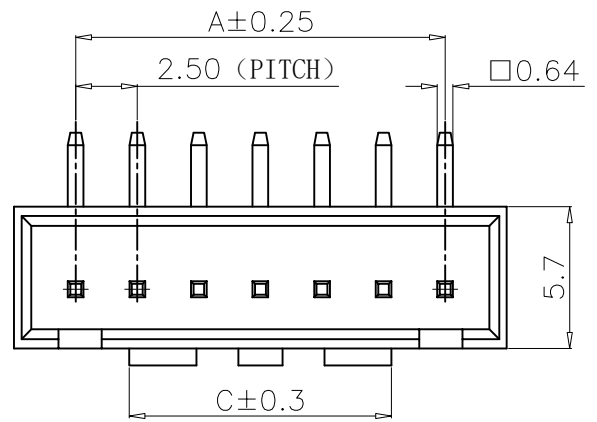
ROHS

Specifications / 技术规格:

- Current rating: 3A**
额定电流: 3A
- Voltage rating: 250V AC, DC**
额定电压: 250V AC, DC
- Insulation Resistance: 1000MΩ Min.**
绝缘电阻: 最小1000MΩ
- Withstanding voltage: 1000V AC 1Min**
耐压: 1000V AC 1分钟
- Contact Resistance: 20mΩ Max.**
接触电阻: 最大20mΩ
- Operating Temperature: -25° C to +85° C**
工作温度: -25° C 到 85° C

Materials / 材料:

- Contact Material: Brass (Tin plating)**
接触端子材料: 黄铜 (镀锡)
- Insulation Material: PA or PBT UL94V-2 Natural**
绝缘体塑胶材质: PA 或 PBT UL94V-2 本色



PIN数	A	B	C
2	2.50	7.50	1.70
3	5.00	10.00	2.50
4	7.50	12.50	5.00
5	10.00	15.00	5.60
6	12.50	17.50	8.10
7	15.00	20.00	10.60
8	17.50	22.50	11.70
9	20.00	25.00	
10	22.50	27.50	
11	25.00	30.00	
12	27.50	32.50	14.70
13	30.00	35.00	
14	32.50	37.50	
15	35.00	40.00	
16	37.50	42.50	

浙江快利电子有限公司
Zhejiang Kuaili Electronic Co., Ltd

GENERAL TOLERANCE	
X.° ± 3°	X. --
.X° ± 2°	.X ±0.30
.XX° ± 1°	.XX ±0.20
.XXX° ± 0.5°	.XXX --

DESIGN: KEVIN	DATE: 2015-03-10
CHECKED:	DATE:
AUDITED:	DATE:
APPROVED:	DATE:

DWG. NO.	PART NO. KL-XHB-NAWD
TITLE.	
XHB-NAWD	

REV.	A	UNIT.	MM	SCALE.	1:1