

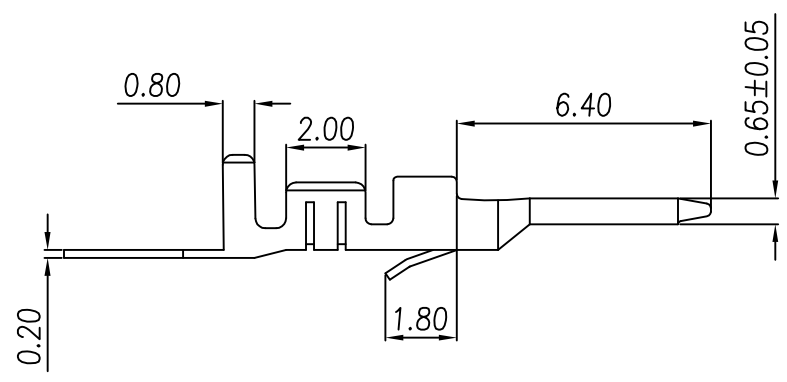
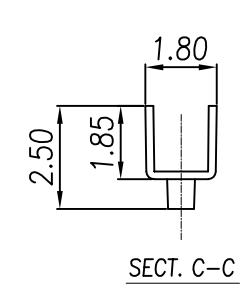
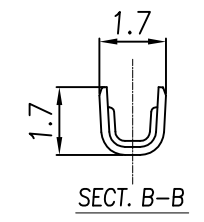
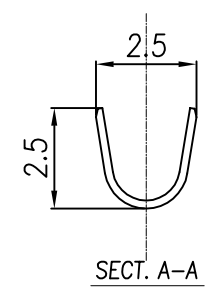
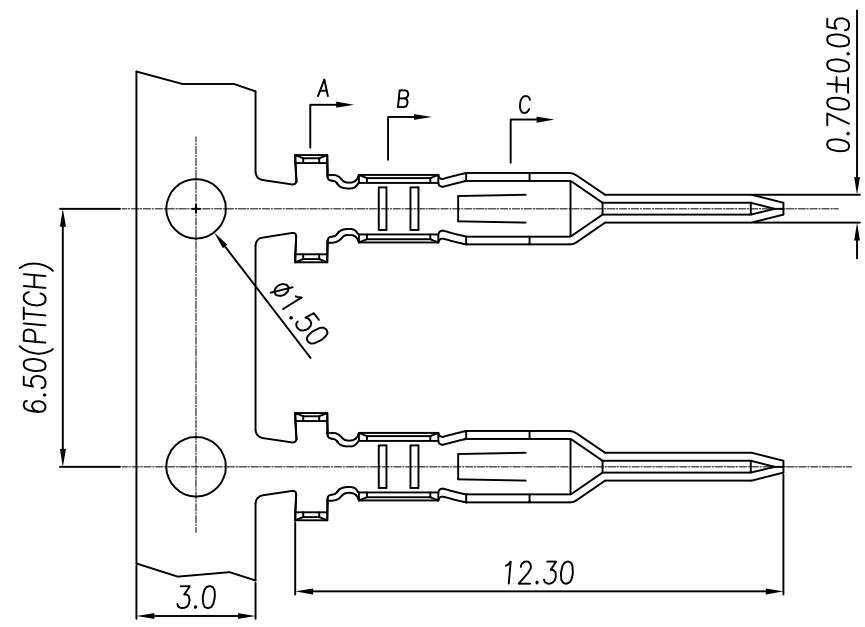
REV.	ECN NO	DESCRIPTION	REVISED	DATE
A		新订图面	李晓明	2018.7.05

Specifications / 技术规格:

Current Rating: 3A
 额定电流: 3A
 Insulation Resistance: 1000MΩ Min.
 绝缘电阻: 最小1000MΩ
 Dielectric Withstanding: 1000V AC
 耐电压: 1000V AC
 Contact Resistance: 20mΩ Max.
 接触电阻: 最大20mΩ
 Operating Temperature: -25°C to +85°C
 工作温度: -25°C 到 85°C

Materials / 材料:

Contact Material: Phosphor Bronze (Tin plating)
 接触端子材料: 磷铜 (镀锡)



浙江快利电子有限公司
 ZheJiang KuaiLi Electronic Co., Ltd.

GENERAL TOLERANCE	
X. ^o ± X. ^o	X. --
.X ^o ± X.	.X ± 0.30
.XX ^o ± 1 ^o	.XX ± 0.20
.XXX ^o ± 0.5 ^o	.XXX --

DESIGN: 李晓明
 CHECKED:
 APPROVED:

DATE: 2018.7.05
 DATE:
 DATE:

DWG. NO.
 PART NO.
 KL-XH-AT

TITLE:
 XH空中对接母端子
 XH-AT

REV.	A	UNIT.	MM	SCALE.	-