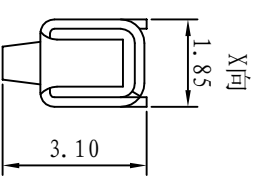
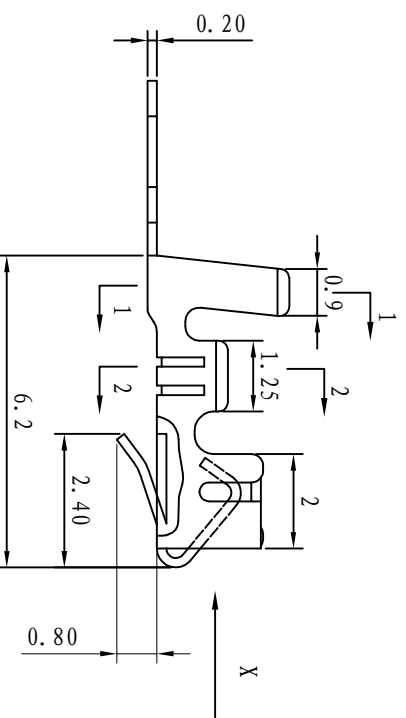
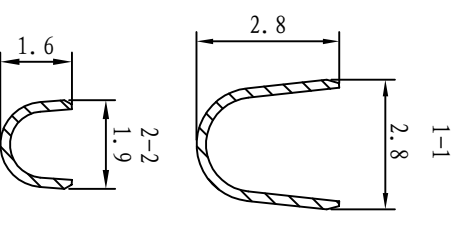
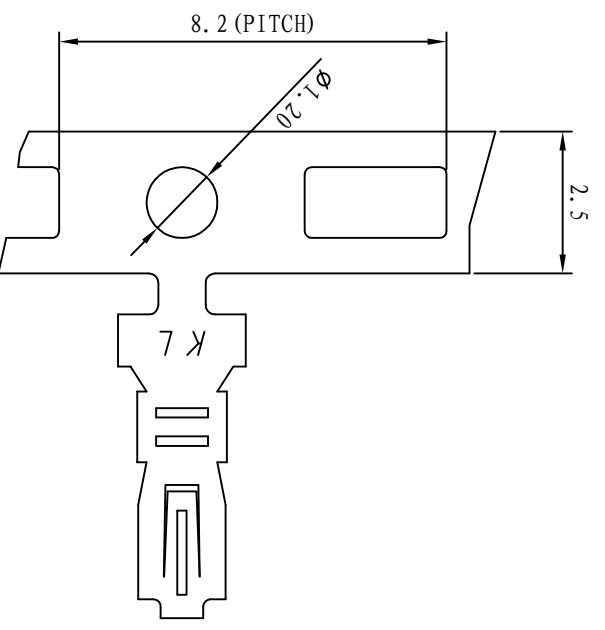


REV.	ECN NO.	DESCRIPTION	REVISED	DATE
A		新订图面	KEVIN	2016.4.07



Specifications / 技术规格:

- Current Rating: 3A
- 额定电流: 3A
- Insulation Resistance: 1000MΩ Min.
- 绝缘电阻: 最小1000MΩ
- Dielectric Withstanding: 1000V AC
- 耐电压: 1000V AC
- Contact Resistance: 20mΩ Max.
- 接触电阻: 最大20mΩ
- Operating Temperature: -25°C to +85°C
- 工作温度: -25°C 到 85°C
- Materials / 材料:
- Contact Material: Phosphor Bronze(Tin plating)
- 接触端子材料: 磷铜(镀锡)

 浙江快利电子有限公司 Zhejiang Kuaili Electronic Co., LTD	REV. A	UNIT. mm	SCALE. -	PAGE. 1/1	PROJ.	GENERAL TOLERANCE X.: ± 3° X.: ± 0.35 X.: ± 2° X.: ± 0.25 X.X: ± 1° X.XX: ± 0.15 .XXX: ± 0.5° X.XXX: ± 0.10		DESIGN: KEVIN CHECKED: 李晓明 APPROVED: 朱建华	DATE: 2016-04-07 DATE: 2016-04-07 DATE: 2016-04-07	DWG. NO. PART NO. KL-XH-TE-003	TITLE. XH-TE (17.6)
---	--------	----------	----------	-----------	-------	--	--	---	---	---	-------------------------------