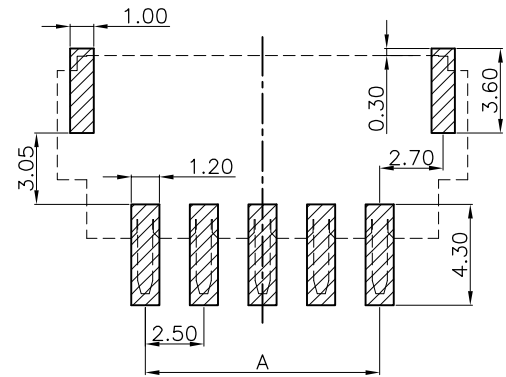
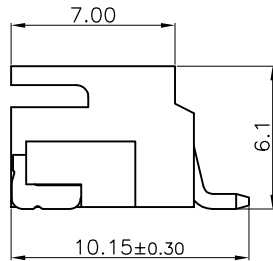
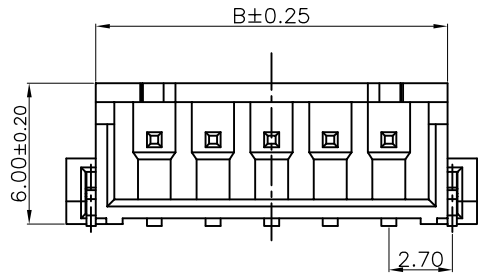
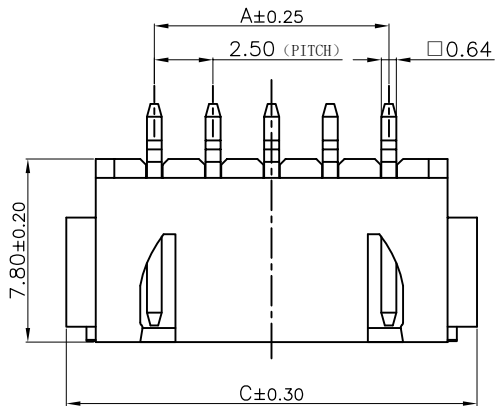


ROHS

| REV. | ECN NO | DESCRIPTION | REVISED | DATE      |
|------|--------|-------------|---------|-----------|
| A    |        | 新订图面        | HELLER  | 2016.8.13 |

| PIN数 | A    | B    | C    |
|------|------|------|------|
| 2    | 2.5  | 7.5  | 10.0 |
| 3    | 5.0  | 10.0 | 12.5 |
| 4    | 7.5  | 12.5 | 15.0 |
| 5    | 10.0 | 15.0 | 17.5 |
| 6    | 12.5 | 17.5 | 20.0 |
| 7    | 15.0 | 20.0 | 22.5 |
| 8    | 17.5 | 22.5 | 25.0 |
| 9    | 20.0 | 25.0 | 27.5 |
| 10   | 22.5 | 27.5 | 30.0 |
| 11   | 25.0 | 30.0 | 32.5 |
| 12   | 27.5 | 32.5 | 35.0 |
| 13   | 30.0 | 35.0 | 37.5 |
| 14   | 32.5 | 37.5 | 40.0 |
| 15   | 35.0 | 40.0 | 42.5 |
| 16   | 37.5 | 42.5 | 45.0 |



P.C.B LAYOUT

Specifications/技术规格:

Current rating: 3A  
 额定电流: 3A  
 Voltage rating: 250V AC,DC  
 额定电压: 250V AC,DC  
 Insulation Resistance: 1000MΩ Min.  
 绝缘电阻: 最小1000MΩ  
 Dielectric Withstanding: 1000V AC 1Min  
 耐电压: 1000V AC 1分钟  
 Contact Resistance: 20mΩ Max.  
 接触电阻: 最大20mΩ  
 Operating Temperature: -25°C to +85°C  
 工作温度: -25°C 到 85°C  
 Materials/材料:  
 Contact Material: Brass(Tin plating)  
 接触铜针材料: 黄铜(镀锡)  
 Soldering Terminal: Bronze(Tin plating)  
 焊片材料: 磷铜(镀锡)  
 Insulation Material: LCP or PA UL94V-0 Natural  
 绝缘体材料: LCP 或 PA UL94 V-0 本色

浙江快利电子有限公司  
 Zhejiang Kuaili Electronic Co., Ltd

GENERAL TOLERANCE

|              |            |
|--------------|------------|
| X.* ± 3°     | .XXX ±0.10 |
| .X* ± 2°     | .XX ±0.15  |
| .XX* ± 1°    | .X ±0.25   |
| .XXX* ± 0.5° | X. ±0.35   |

DESIGN: HELLER

DATE: 2016.8.13

DWG. NO.

TITLE.

CHECKED: 瞿益远

DATE: 2016.8.13

AUDITED: 张宁

DATE: 2016.8.13

APPROVED: 朱建华

DATE: 2016.8.13

PART NO.

KL-XH-NAWT

XH-NAWT连接器

| REV. | A | UNIT. | MM | SCALE. | 1:1 |
|------|---|-------|----|--------|-----|
|      |   |       |    |        |     |