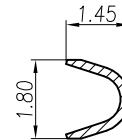
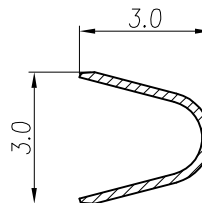


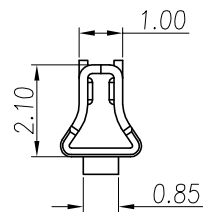
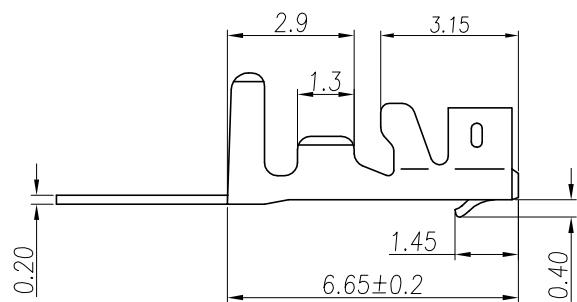
SECT. A-A



SECT. B-B



SECT. C-C



Specifications / 技术规格:


Current Rating: 3A  
 额定电流: 3A  
 Voltage rating: 250V AC,DC  
 额定电压: 250V AC,DC  
 Insulation Resistance: 1000 MΩ Min.  
 绝缘电阻: 最小1000MΩ  
 Dielectric Withstanding: 1000V AC  
 耐电压: 1000V AC  
 Contact Resistance: 20mΩ Max.  
 接触电阻: 最大20mΩ  
 Operating Temperature: -25°C to +85°C  
 工作温度: -25° C 到 85° C

Materials / 材料:

Contact Material: Phosphor Bronze  
 接触端子材料: 磷铜

Finish / 表面处理: Tin plated 镀锡

 浙江快利电子有限公司  
 Zhejiang Kuaili Electronic Co., Ltd

REV. A UNIT. MM SCALE. --- 

GENERAL TOLERANCE

X.° ± 3'	.XXX: --
.X° ± 2'	.XX: ±0.20
.XX° ± 1'	.X: ±0.30
.XXX° ± 0.5'	X: --

DESIGN: HELLER

DATE: 21'.4.8

DWG. NO.

TITLE.

AUDITED: 朱建慧

DATE: 21'.4.8

PART NO.

XA-TE

APPROVED: 朱建华

DATE: 21'.4.8

KL-XA-TE