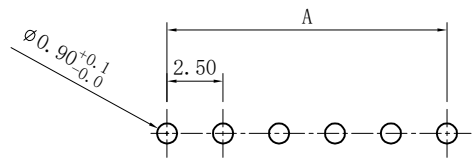


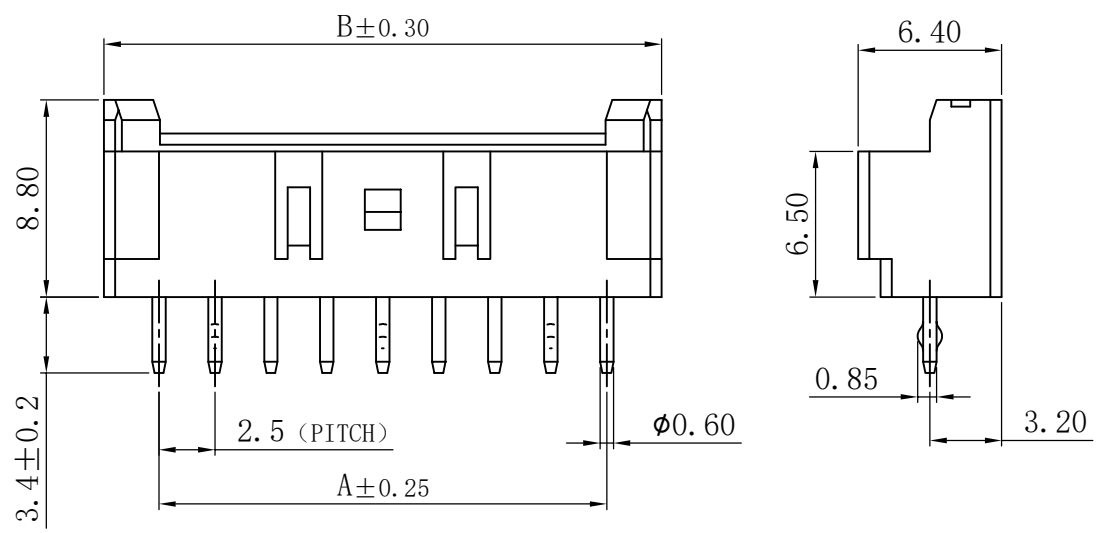
1 2 3 4 5 6 7 8 9

RoHS

REV.	ECN NO	DESCRIPTION	REVISED	DATE
A		新订图面	KEVIN	2015.03.10



Recommended P.C.Board Hole Layout



CKT.	DIM(mm)	
	A	B
2	2.50	7.50
3	5.00	10.00
4	7.50	12.50
5	10.00	15.00
6	12.50	17.50
7	15.00	20.00
8	17.50	22.50
9	20.00	25.00
10	22.50	27.50
11	25.00	30.00
12	27.50	32.50
13	30.00	35.00
14	32.50	37.50
15	35.00	40.00
20	47.50	52.50

Specifications / 技术规格:

Current rating: 3A
 额定电流: 3A
 Voltage rating: 250V AC,DC
 额定电压: 250V AC,DC
 Insulation Resistance: 1000MΩ Min.
 绝缘电阻: 最小1000MΩ
 Withstanding voltage: 1000V AC 1Min
 耐电压: 1000V AC 1分钟
 Contact Resistance: 20mΩ Max.
 接触电阻: 最大20mΩ
 Operating Temperature: -25°C to +85°C
 工作温度: -25°C 到 85°C

Materials / 材料:
 Contact Material: Brass(Tin plating)
 接触端子材料: 黄铜(镀锡)
 Insulation Material: PA or PBT UL94V-0
 绝缘体塑胶材质: PA 或 PBT UL94V-0

浙江快利电子有限公司
 Zhejiang Kuaili Electronic Co., Ltd

GENERAL TOLERANCE	
X.* ± 3'	.XXX ± 0.10
.X' ± 2'	.XX ± 0.15
.XX' ± 1'	.X ± 0.25
.XXX' ± 0.5'	X. ± 0.35

DESIGN:	KEVIN	DATE:	2015.03.10
CHECKED:	朱前程	DATE:	2015.03.10
AUDITED:		DATE:	
APPROVED:	张宁	DATE:	2015.03.10

DWG. NO.	
PART NO.	KL-XA-NA-H01

TITLE:
 XA-NA 无定位柱
 (高温料)

REV.	A	UNIT.	MM	SCALE.	1:1
------	---	-------	----	--------	-----

1 2 3 4 5 6 7 8 9