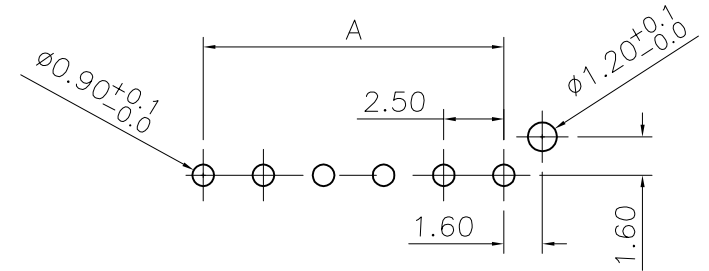
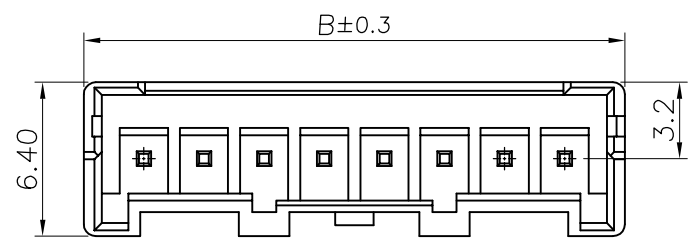
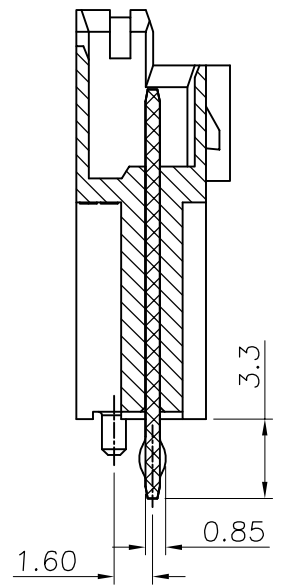
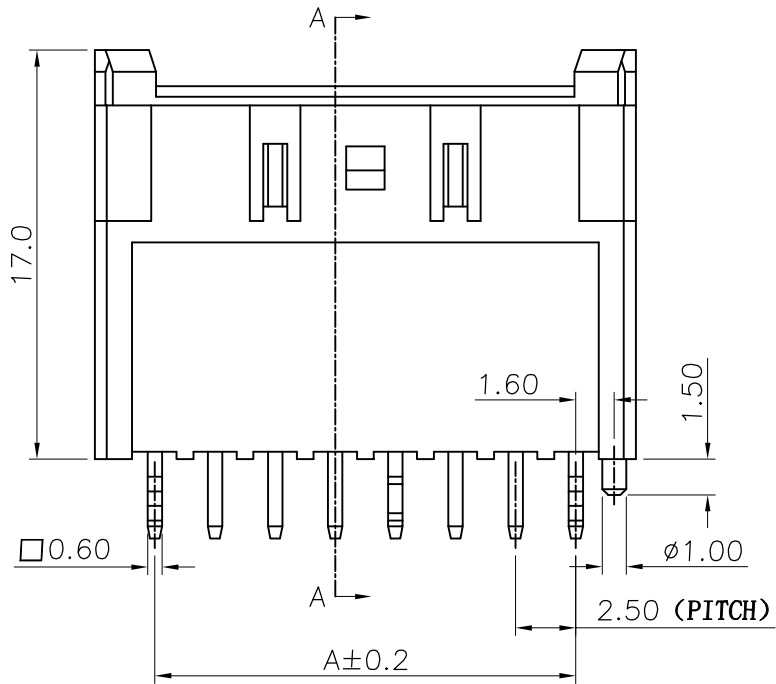


RoHS

REV.	ECN NO	DESCRIPTION	REVISED	DATE
A		新订图面	HELLER	2022.8.29



Recommended P.C.Board Hole Layout



CKT.	A	B
2	2.50	7.50
3	5.00	10.00
4	7.50	12.50
5	10.00	15.00
6	12.50	17.50
7	15.00	20.00
8	17.50	22.50
9	20.00	25.00
10	22.50	27.50
11	25.00	30.00
12	27.50	32.50
13	30.00	35.00
14	32.50	37.50
15	35.00	40.00
16	37.50	42.50

Specifications / 技术规格:

Current rating: 3A
 额定电流: 3A
 Voltage rating: 250V AC,DC
 额定电压: 250V AC,DC
 Insulation Resistance: 1000MΩ Min.
 绝缘电阻: 最小1000MΩ
 Dielectric Withstanding: 1000V AC 1Min
 耐电压: 1000V AC 1分钟
 Contact Resistance: 20mΩ Max.
 接触电阻: 最大20mΩ
 Operating Temperature: -25°C to +85°C
 工作温度: -25°C 到 85°C

Materials / 材料:

Contact Material: Brass(Tin plated)
 接触端子材料: 黄铜(镀锡)
 Insulation Material: PA or PBT UL94V-0
 绝缘塑胶材质: PA 或 PBT UL94V-0

浙江快利电子有限公司
 Zhejiang Kuaili Electronic Co., Ltd

GENERAL TOLERANCE	
X.* ± 3*	.XXX --
.X* ± 2*	.XX ±0.20
.XX* ± 1*	.X ±0.30
.XXX* ± 0.5*	X.* --

DESIGN:	HELLER	DATE:	22'.8.29
CHECKED:	瞿益远	DATE:	22'.8.29
AUDITED:	朱建慧	DATE:	22'.8.29
APPROVED:	朱建华	DATE:	22'.8.29

DWG. NO.	
PART NO.	KL-XA-H-NAD-H01

TITLE:
XA-H-NAD连接器
 (高温料)

REV.	A	UNIT.	MM	SCALE.	1:1