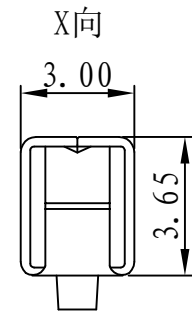
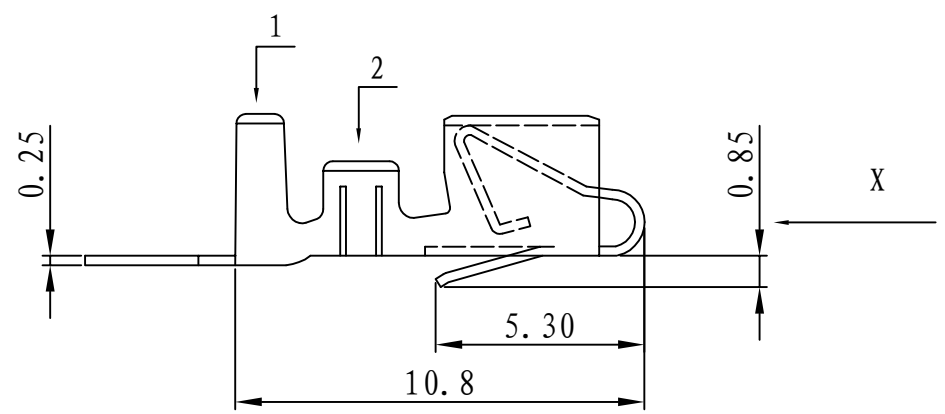
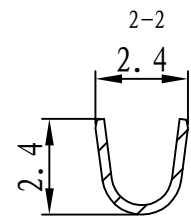
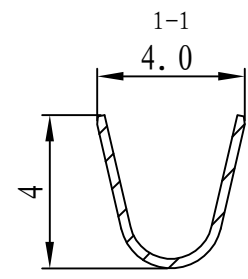
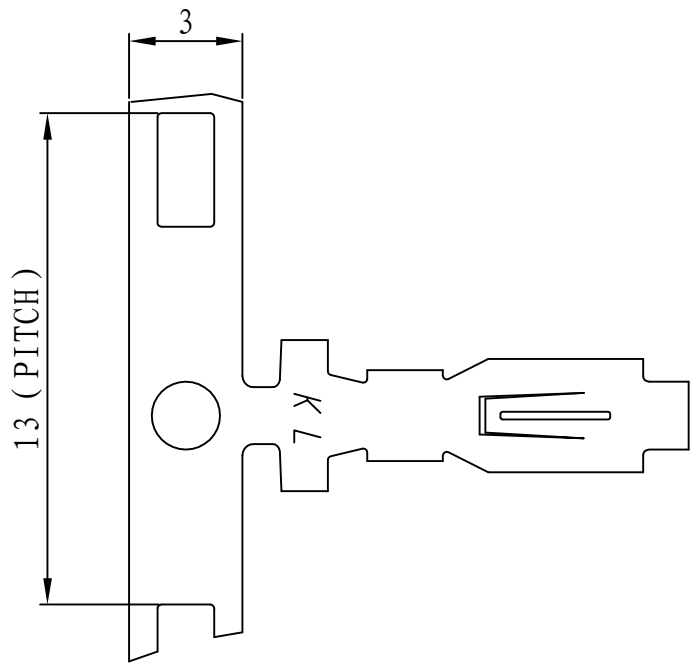


REV.	ECN NO	DESCRIPTION	REVISED	DATE
A		新订图面	LXM	2016.4.15



Specifications /技术规格:
 Current Rating: 7A
 额定电流: 7A
 Insulation Resistance: 1000MΩ Min.
 绝缘电阻: 最小1000MΩ
 Dielectric Withstanding: 1500V AC
 耐电压: 1500V AC
 Contact Resistance: 30mΩ Max.
 接触电阻: 最大30mΩ
 Operating Temperature: -25°C to +85°C
 工作温度: -25°C 到 85°C

Materials /材料:
 Contact Material: Phosphor Bronze(Tin plating)
 接触端子材料: 磷铜(镀锡)

 **浙江快利电子有限公司**
 ZheJiang KuaiLi Electronic Co., LTD.

REV. A	UNIT. mm	SCALE. -	PAGE. 1/1	PROJ. 
--------	----------	----------	-----------	---

GENERAL TOLERANCE		DESIGN:	LXM	DATE:	2016-04-15	DWG. NO.	TITLE: VH-TE (26)
X.: ± 3°	X.: ± 0.35	CHECKED:	李晓明	DATE:	2016-04-15	PART NO.	
X.X: ± 2°	X.X: ± 0.25	APPROVED:	朱建华	DATE:	2016-04-15	KL-VH-TE-002	
.XX: ± 1°	X.XX: ± 0.15						
.XXX: ± 0.5°	X.XXX: ± 0.10						