

REV.	ECN NO	DESCRIPTION	REVISED	DATE
A	/	New drawing	张国旭	2023.4.19

Specifications/技术规格:

Current rating: 7A  
额定电流: 7A

Voltage rating: 250V AC,DC  
额定电压: 250V AC, DC

Insulation Resistance: 1000MΩ Min.  
绝缘电阻: 最小1000MΩ

Dielectric Withstanding: 1500V AC 1Min  
耐压: 1500V AC 1分钟

Contact Resistance: 20mΩ Max.  
接触电阻: 最大20mΩ

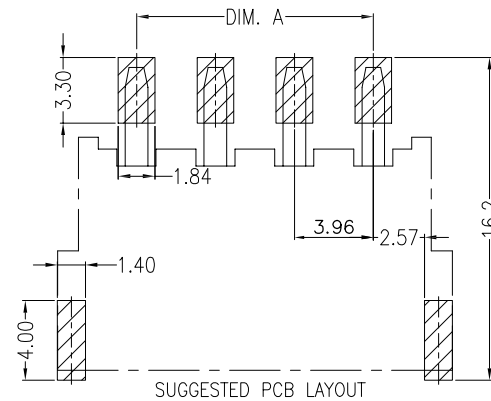
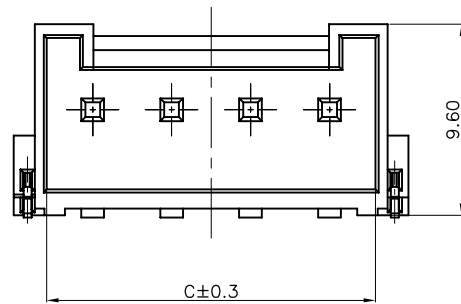
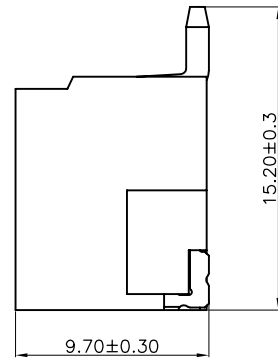
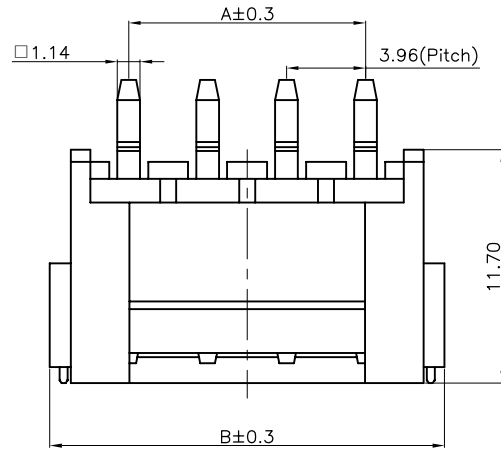
Operating Temperature: -25°C to +85°C  
工作温度: -25°C 到 85°C

Materials/材料:

Contact Material: Brass(Tin Plating)  
接触端子材料: 黄铜(镀锡)

Soldering Terminal: Brass(Tin Plating)  
焊片材料: 黄铜(镀锡)

Insulation Material: PA or LCP UL94 V-0  
绝缘塑胶材质: PA 或 LCP UL94 V-0



PIN数	DIM		
	A	B	C
2	3.96	11.88	8.58
3	7.92	15.84	12.54
4	11.88	19.8	16.5
5	15.84	23.76	20.46
6	19.8	27.72	24.42
7	23.76	31.68	28.38
8	27.72	35.64	32.34
9	31.68	39.6	36.3
10	35.64	43.56	40.26
11	39.6	47.52	44.22
12	43.56	51.48	48.18
13	47.52	55.44	52.14
14	51.48	59.4	56.1
15	55.44	63.36	60.06
16	59.4	67.32	64.02

浙江快利电子有限公司  
ZheJiang KuaiLi Electronic Co., LTD.

GENERAL TOLERANCE	
X.: ±3'	X.XXX:±0.10
.X': ±2'	X.XX: ±0.25
.XX': ±1'	X.X: ±0.35
.XXX': ±0.5'	X.: ±0.50

DESIGN:	张国旭	DATE:	2023.04.19
CHECKED:	王鑫	DATE:	2023.04.19
AUDITED:	朱继衡	DATE:	2023.04.19
APPROVED:	王子林	DATE:	2023.04.19

DWG. NO.	
PART NO.	
	KL-VH-NAWT

TITLE.	VH-NAWT 连接器

REV.	A	UNIT.	MM	SCALE.	1:1	
------	---	-------	----	--------	-----	--