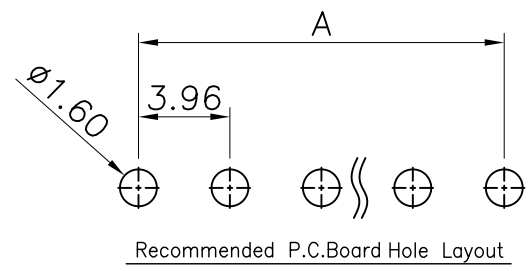
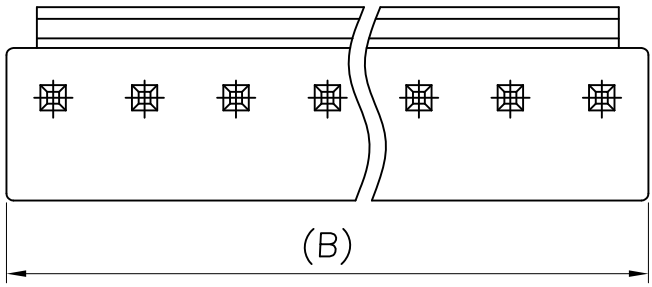


1 2 3 4 5 6 7 8 9

ROHS

REV.	ECN NO	DESCRIPTION	REVISED	DATE
A		新订图面	KEVIN	

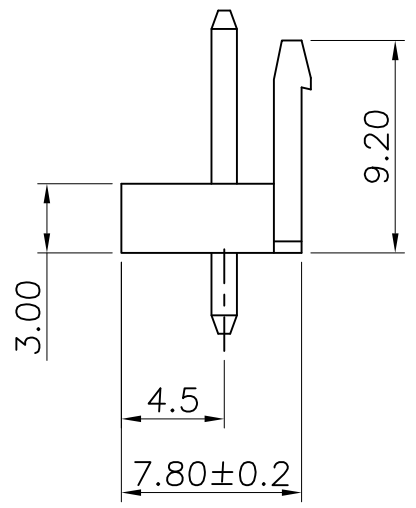
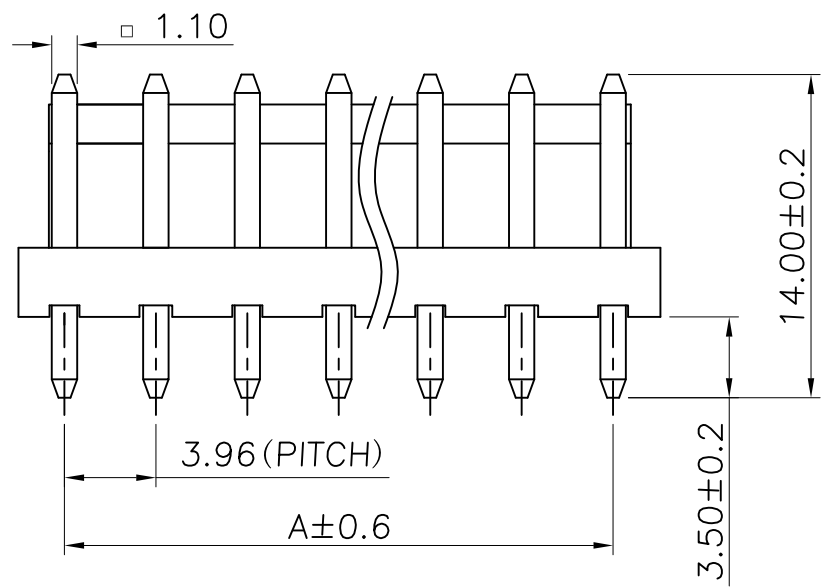


Specifications / 技术规格:

Current rating: 7A  
 额定电流: 7A  
 Voltage rating: 250V AC, DC  
 额定电压: 250V AC, DC  
 Insulation Resistance: 1000M $\Omega$  Min.  
 绝缘电阻: 最小1000M $\Omega$   
 Dielectric Withstanding: 1500V AC 1Min  
 耐电压: 1500V AC 1分钟  
 Contact Resistance: 20m $\Omega$  Max.  
 接触电阻: 最大20m $\Omega$   
 Operating Temperature: -25°C to +85°C  
 工作温度: -25°C 到 85°C

Materials / 材料:

Contact Material: Brass(Tin Plating)  
 接触端子材料: 黄铜(镀锡)  
 Insulation Material: PA or PBT UL94V-2  
 绝缘塑胶材质: PA 或 PBT UL94V-2



CKT.	DIM (mm)	
	A	B
2	3.96	7.92
3	7.92	11.88
4	11.88	15.84
5	15.84	19.80
6	19.80	23.76
7	23.76	27.72
8	27.72	31.68
9	31.68	35.64
10	35.64	39.60
11	39.60	43.56
12	43.56	47.52
13	47.52	51.48
14	51.48	55.44
15	55.44	59.40

**浙江快利电子有限公司**  
 Zhejiang Kuaili Electronic Co., Ltd

GENERAL TOLERANCE	
X.* $\pm 3^*$	.XXX $\pm 0.10$
.X* $\pm 2^*$	.XX $\pm 0.25$
.XX* $\pm 1^*$	.X $\pm 0.30$
.XXX* $\pm 0.5^*$	X.* $\pm 0.35$

DESIGN:	KEVIN	DATE:	15'.3.10
CHECKED:	朱前程	DATE:	15'.3.10
AUDITED:	张宁	DATE:	15'.3.10
APPROVED:	朱建华	DATE:	15'.3.10

DWG. NO.	KL-VH-NA
PART NO.	

TITLE:  
**VH-NA连接器**

REV.	A	UNIT.	MM	SCALE.	1:1	
------	---	-------	----	--------	-----	--

1 2 3 4 5 6 7 8 9