

ROHS

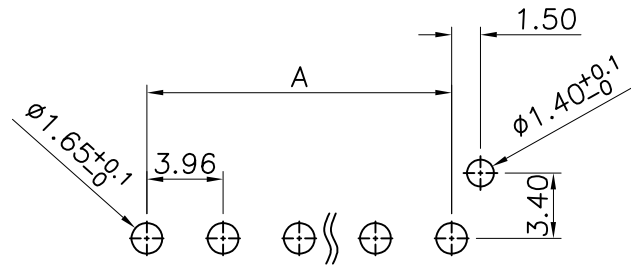
REV.	ECN NO	DESCRIPTION	REVISED	DATE
A		新订图面	HELLER	

Specifications / 技术规格:

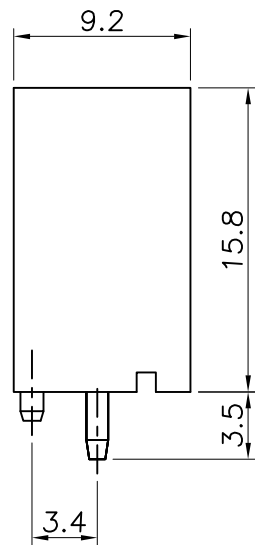
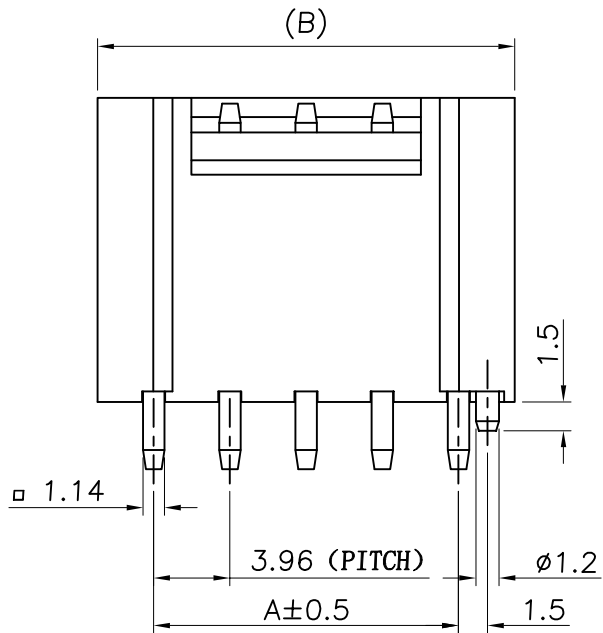
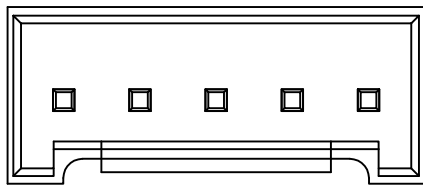
Current rating: 7A  
 额定电流: 7A  
 Voltage rating: 250V AC,DC  
 额定电压: 250V AC,DC  
 Insulation Resistance: 1000MΩ Min.  
 绝缘电阻: 最小1000MΩ  
 Dielectric Withstanding: 1500V AC 1Min  
 耐电压: 1500V AC 1分钟  
 Contact Resistance: 20mΩ Max.  
 接触电阻: 最大20mΩ  
 Operating Temperature: -25°C to +85°C  
 工作温度: -25°C 到85°C

Materials / 材料:

Contact Material: Brass(Tin plated)  
 接触端子材料: 黄铜(镀锡)  
 Insulation Material: PA or PBT UL94V-0  
 绝缘塑胶材质: PA 或 PBT UL94V-0



Recommended P.C.Board Hole Layout



PIN数	A	B
2	3.96	9.80
3	7.92	13.76
4	11.88	17.72
5	15.84	21.68
6	19.80	25.64
7	23.76	29.60
8	27.72	33.56
9	31.68	37.52
10	35.64	41.48
11	39.60	45.44
12	43.56	49.40
13	47.52	53.36
14	51.48	57.32
15	55.44	61.28

浙江快利电子有限公司  
 Zhejiang Kuaili Electronic Co., Ltd

GENERAL TOLERANCE	
X.* ± 3'	.XXX --
.X* ± 2'	.XX ±0.20
.XX* ± 1'	.X ±0.30
.XXX* ± 0.5'	X.* --

DESIGN:	HELLER	DATE:	21'.1.20
CHECKED:	瞿益远	DATE:	21'.1.20
AUDITED:	朱建慧	DATE:	21'.1.20
APPROVED:	朱建华	DATE:	21'.1.20

DWG. NO.	
PART NO.	KL-VH-H-NAD-H01

TITLE:  
**VH-H-NAD连接器**  
 (高温料)

REV.	A	UNIT.	MM	SCALE.	1:1	
------	---	-------	----	--------	-----	--