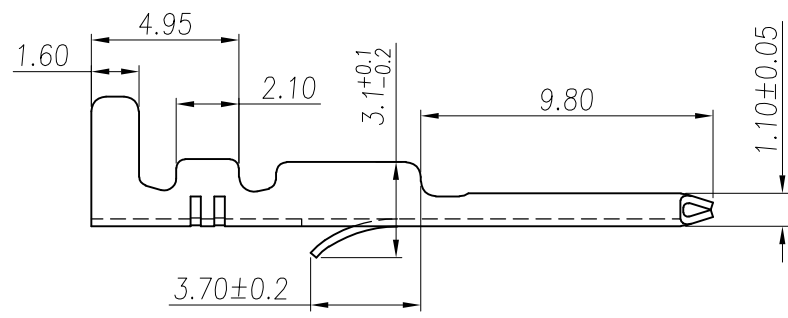
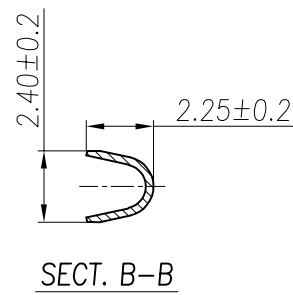
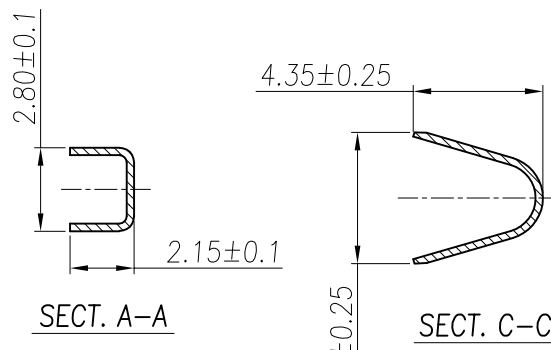
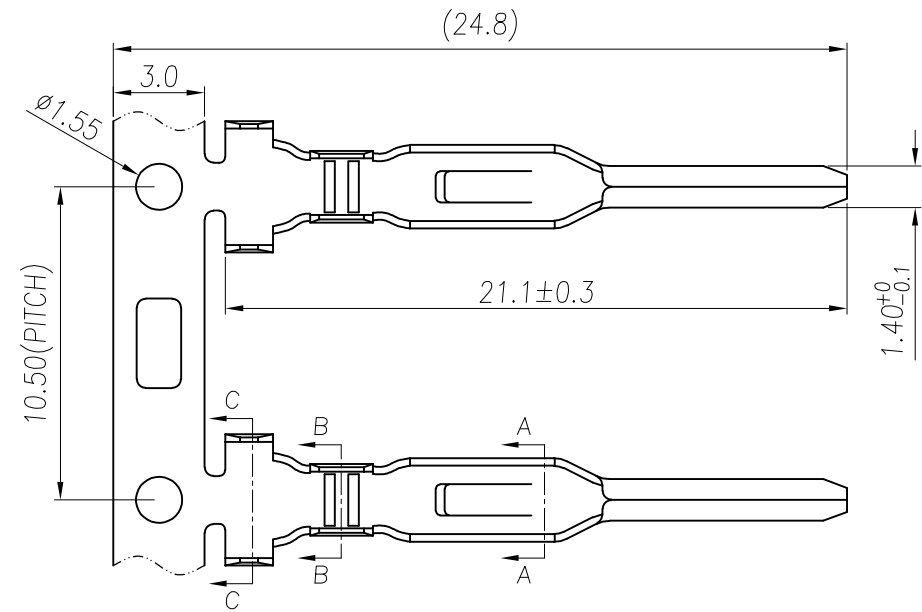


REV.	ECN NO	DESCRIPTION	REVISED	DATE
A		新订图面	HELLER	2021.6.24



**Specifications / 技术规格:**  
 Current rating: 7A  
 额定电流: 7A  
 Voltage rating: 250V AC, DC  
 额定电压: 250V AC, DC  
 Insulation Resistance: 1000M  $\Omega$  Min.  
 绝缘电阻: 最小1000M $\Omega$   
 Dielectric Withstanding: 1500V AC 1Min  
 耐电压: 1500V AC 1分钟  
 Contact Resistance: 20m  $\Omega$  max.  
 接触电阻: 最大20m $\Omega$   
 Operating Temperature: -25°C to +85°C  
 工作温度: -25°C 到 85°C

材料名称	材料厚度	表面处理	适用导线规格	备注
磷青铜 QSn6.5-0.1	0.25mm	镀锡	AWG22#~18#	

**浙江快利电子有限公司**  
 Zhejiang Kuaili Electronic Co., Ltd

REV. A UNIT. MM SCALE. ---

GENERAL TOLERANCE	
X.° ± 3'	.XXX: ±0.10
.X° ± 2'	.XX: ±0.15
.XX° ± 1'	.X: ±0.25
.XXX° ± 0.5'	X.: ±0.35

DESIGN:	HELLER	DATE:	21'.06.24
AUDITED:	朱建慧	DATE:	21'.06.24
APPROVED:	朱建华	DATE:	21'.06.24

DWG. NO.	KL-VH-AT
PART NO.	

TITLE.	VH-AT
--------	-------