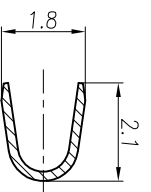
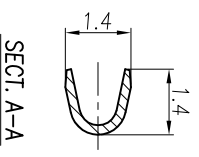
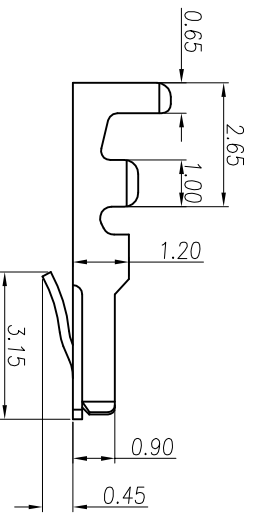
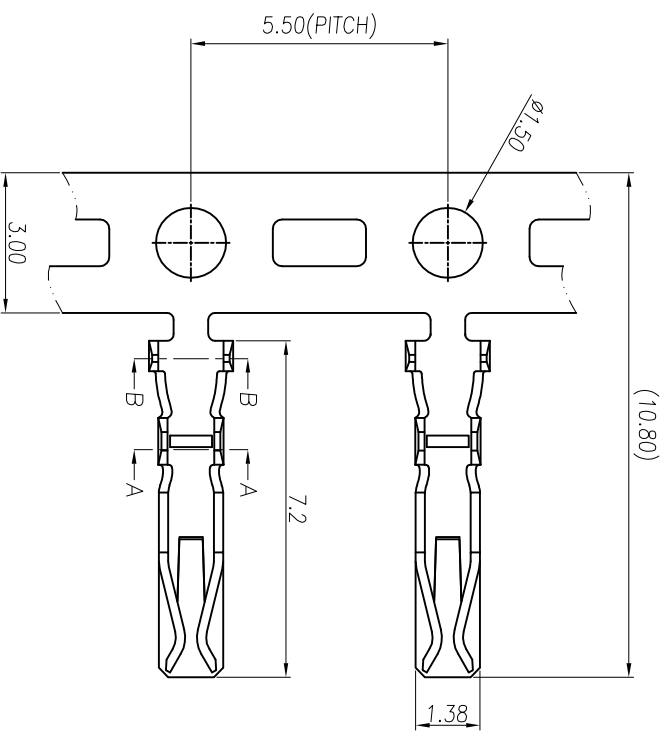


REV.	ECN NO	DESCRIPTION	REVISED	DATE
A		新订图面	HELLER	2021.9.10



SECT. B-B

SECT. A-A

Specifications / 技术规格:

- 额定电流: 3A
- Current Rating: 3A
- 额定电压: 250V AC,DC
- Voltage rating: 250V AC,DC
- 绝缘电阻: 最小1000MΩ
- Insulation Resistance:1000 MΩ Min.
- Dielectric Withstanding: 800V AC
- 耐电压: 800V AC
- Contact Resistance: 20mΩ Max.
- 接触电阻: 最大20mΩ
- Operating Temperature:-25°C to +85°C
- 工作温度: -25° C 到 85° C

Materials / 材料:

Contact Material: Phosphor Bronze(Tin plated)
接触端子材料: 磷铜(镀锡)

浙江快利电子有限公司
Zhejiang Kuaile Electronic Co., Ltd

GENERAL TOLERANCE	
X° ± 3'	.XXX: --
X° ± 2'	.XX : ±0.20
.XX° ± 1'	.X : ±0.30
.XXX° ± 0.5'	X. : --

DESIGN:	HELLER
AUDITED:	朱建慧
APPROVED:	朱建华

DATE:	21'09.10
DATE:	21'09.10
DATE:	21'09.10

DWG. NO.	PART NO.
KL-SMH-TE-B	KL-SMH-TE-B

TITLE.
2.0间距双排侧带扣端子 SMH-TE-B

1 2 3 4 5 6 7 8 9