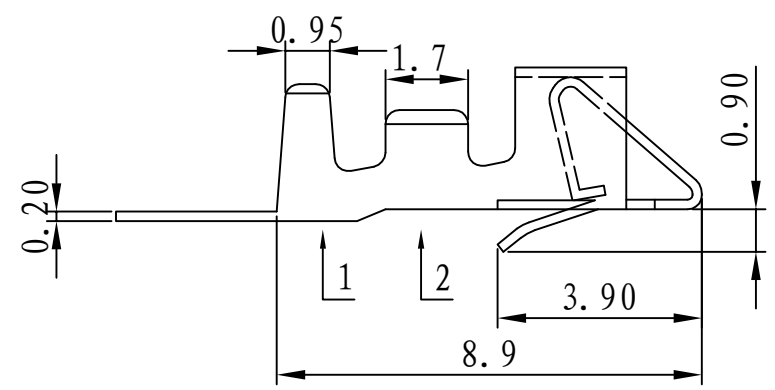
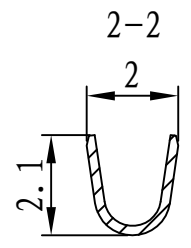
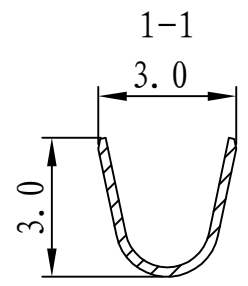
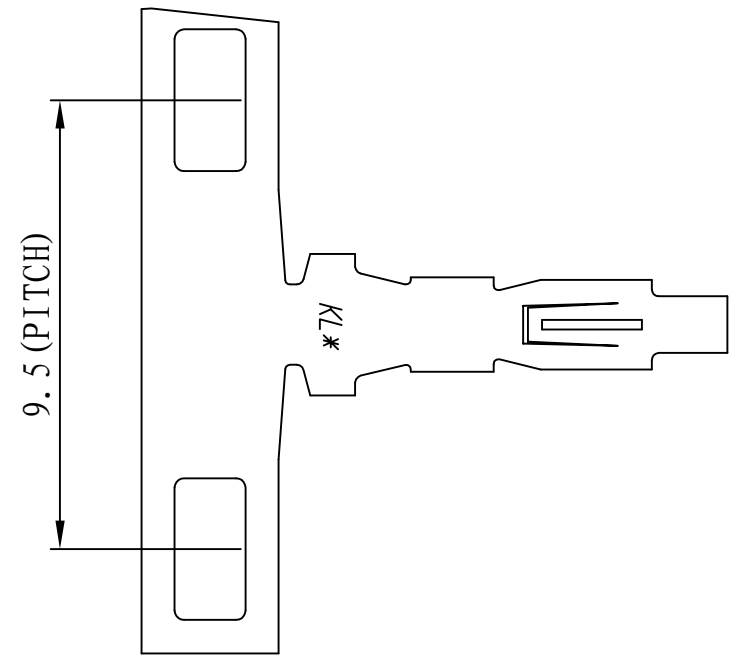
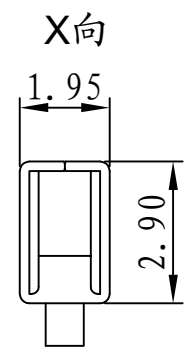


REV.	ECN NO	DESCRIPTION	REVISED	DATE
A		新订图面	KEVIN	2016.4.18



X



Specifications /技术规格:

Current Rating: 3A  
 额定电流: 3A  
 Insulation Resistance: 1000MΩ Min.  
 绝缘电阻: 最小1000MΩ  
 Dielectric Withstanding: 1000V AC  
 耐电压: 1000V AC  
 Contact Resistance: 20mΩ Max.  
 接触电阻: 最大20mΩ  
 Operating Temperature: -25°C to +85°C  
 工作温度: -25° C 到 85° C

Materials /材料:

Contact Material: Phosphor Bronze(Tin plating)  
 接触端子材料: 磷铜(镀锡)

浙江快利电子有限公司  
 ZheJiang KuaiLi Electronic Co.,LTD.

GENERAL TOLERANCE	
X.: ± 3°	X.: ±0.35
.X: ± 2°	X.X: ±0.25
.XX: ± 1°	X.XX: ±0.15
.XXX: ± 0.5°	X.XXX: ±0.10

DESIGN:	KEVIN	DATE:	2016-04-18
CHECKED:	李晓明	DATE:	2016-04-18
APPROVED:	朱建华	DATE:	2016-04-18

DWG. NO.	
PART NO.	KL-SMY-TE

TITLE.	SMY-TE
--------	--------

REV.	UNIT.	SCALE.	PAGE.	PROJ.
A	mm	-	1/1	