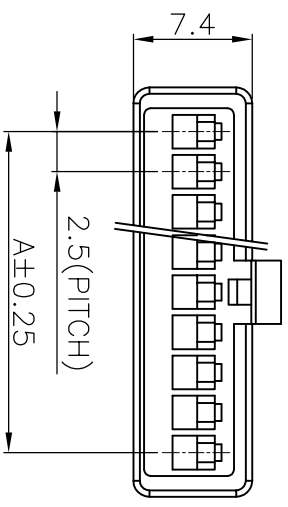
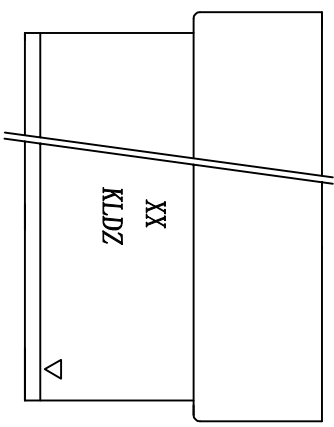
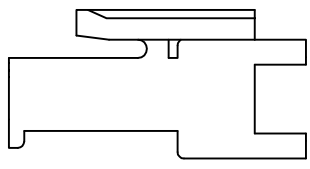
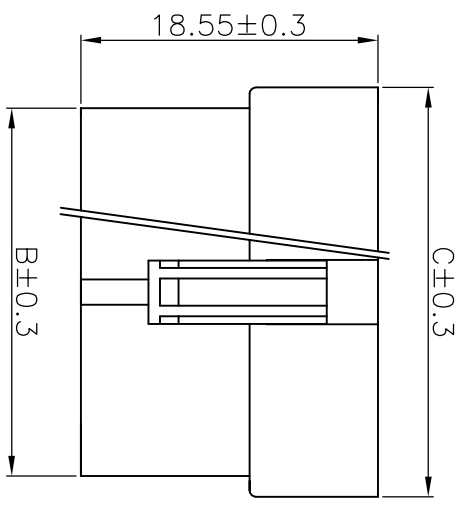


REV.	ECN NO	DESCRIPTION	REVISED	DATE
A		新订图面	叶瀚生	2012.3.21
A1		图面标准化	HELLER	2020.6.6



孔数	A	B	C
2	2.5	5.6	8.0
3	5.0	8.1	10.5
4	7.5	10.6	13.0
5	10.0	13.1	15.5
6	12.5	15.6	18.0
7	15.0	18.1	20.5
8	17.5	20.6	23.0
9	20.0	23.1	25.5
10	22.5	25.6	28.0
11	25.0	28.1	30.5
12	27.5	30.6	33.0
13	30.0	33.1	35.5
14	32.5	35.6	38.0
15	35.0	38.1	40.5
16	37.5	40.6	43.0

Specifications / 技术规格:
 Current Rating: 3A
 额定电流: 3A
 Insulation Resistance: 500MΩ Min.
 绝缘电阻: 最小500MΩ
 Dielectric Withstanding: 1500V AC
 耐电压: 1500V AC
 Operating Temperature: -25°C to +85°C
 工作温度: -25° C 到 85° C

Materials / 材料:
 Insulation Material: NYLON UL94V-2 BLACK
 绝缘体塑胶材料: 尼龙 UL94V-2 黑色

浙江快利电子有限公司
 Zhejiang Kuaili Electronic Co., Ltd.

REV. A1 UNIT. MM SCALE: ---

GENERAL TOLERANCE		DESIGN:	DATE:	DWG. NO.	TITLE:
X' ± 3.'	.XXX: ±0.10	DESIGNED: 瞿益远	20' 6.6	KL-SM-NA	SM-NA
X' ± 2.'	.XX: ±0.15	CHECKED: HELLER	20' 6.6		
.XX' ± 1.'	.X: ±0.25	AUDITED: 朱建慧	DATE: 20' 6.6	PART NO.	
.XXX' ± 0.5'	X: ±0.35	APPROVED: 朱建华	DATE: 20' 6.6		