

**ROHS**

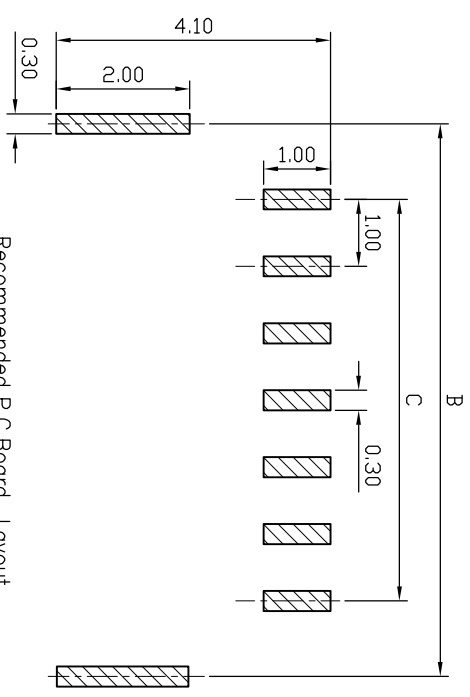
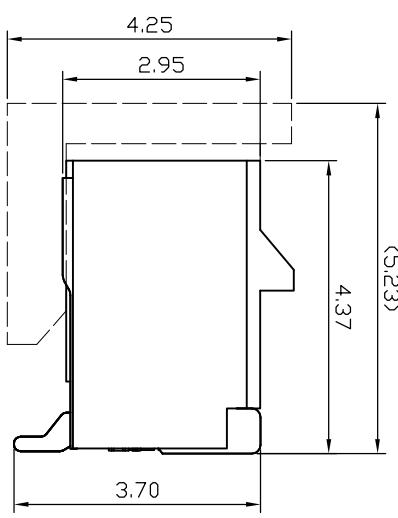
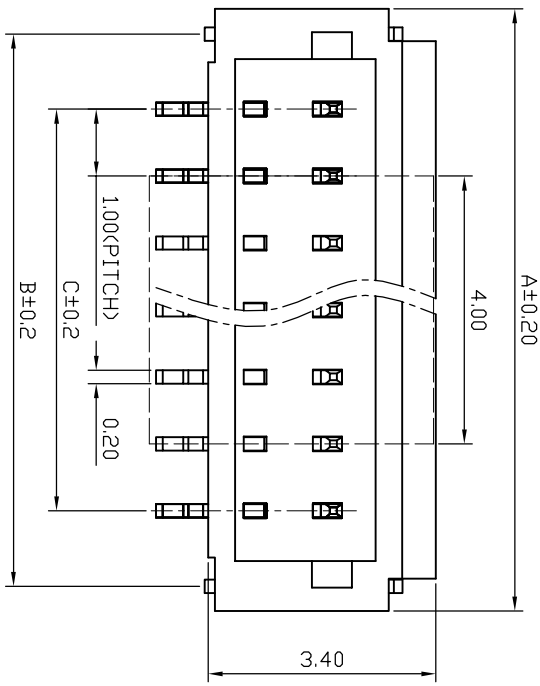
REV.	ECN NO	DESCRIPTION	REVISED	DATE
A		新订图面	KEVIN	

**Specifications / 技术规格:**

Current rating: 1A  
 额定电流: 1A  
 Voltage rating: 50V AC,DC  
 额定电压: 50V AC,DC  
 Insulation Resistance: 500MΩ Min.  
 绝缘电阻: 最小500MΩ  
 Dielectric Withstanding: 500V AC 1Min  
 耐电压: 500V AC 1分钟  
 Contact Resistance: 20mΩ Max.  
 接触电阻: 最大20mΩ  
 Operating Temperature: -25°C to +85°C  
 工作温度: -25° C 到85° C

**Materials / 材料:**

Contact Material: Brass(Tin plating)  
 接触端子材料: 黄铜(镀锡)  
 Insulation Material: LCP or PA UL94 V-0  
 绝缘体塑胶材质: LCP 或 PA UL94V-0



Recommended P.C.Board Layout

P#数	DIM=A	DIM=B	DIM=C
16	18.00	17.24	15.00
15	17.00	16.24	14.00
14	16.00	15.24	13.00
13	15.00	14.24	12.00
12	14.00	13.24	11.00
11	13.00	12.24	10.00
10	12.00	11.24	9.00
9	11.00	10.24	8.00
8	10.00	9.24	7.00
7	9.00	8.24	6.00
6	8.00	7.24	5.00
5	7.00	6.24	4.00
4	6.00	5.24	3.00
3	5.00	4.24	2.00
2	4.00	3.24	1.00

**GENERAL TOLERANCE**

DESIGN:	KEYVIN	DATE:	15.9.16
X <sup>°</sup> ± 3'	朱前程	DATE:	15.9.16
X' ± 2"	张宁	DATE:	15.9.16
.XX ± 1'	朱建华	DATE:	15.9.16
.XXX ± 0.5'			

**DWG. NO.**

PART NO. KL-SHB-NALT

**TITLE.**

SHB-NALT



**浙江快利电子有限公司**  
 Zhejiang Kuaili Electronic Co., Ltd

REV.	UNIT.	SCALE.	SYMBOL
A	MM	1:1	