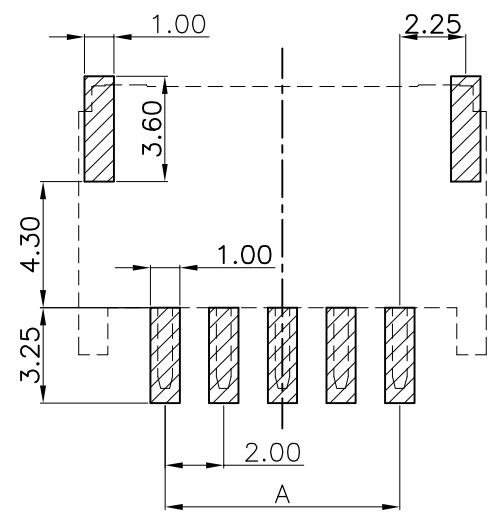
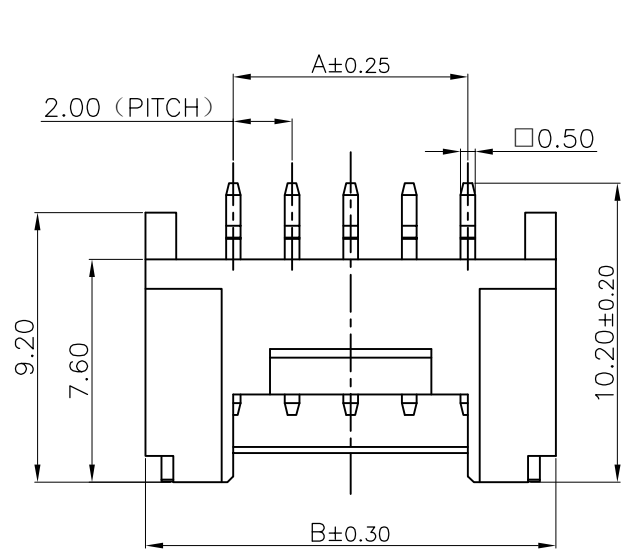


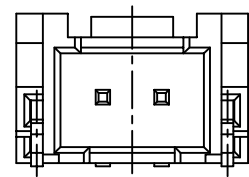
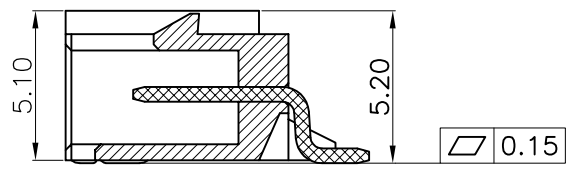
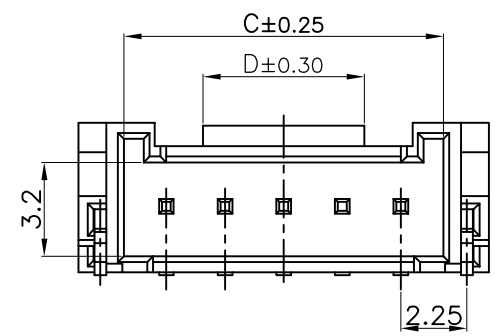
**ROHS**

REV.	ECN NO	DESCRIPTION	REVISED	DATE
A		新订图面	HELLER	2018.1.3
B	20230701001	调整尺寸	HELLER	2023.7.1



P.C.B LAYOUT

PIN数	尺寸 (mm)			
	A	B	C	D
2	2.0	8.0	4.9	2.8
3	4.0	10.0	6.9	3.0
4	6.0	12.0	8.9	3.5
5	8.0	14.0	10.9	5.5
6	10.0	16.0	12.9	7.5
7	12.0	18.0	14.9	9.5
8	14.0	20.0	16.9	11.5
9	16.0	22.0	18.9	13.5
10	18.0	24.0	20.9	15.5
11	20.0	26.0	22.9	17.5
12	22.0	28.0	24.9	19.5
13	24.0	30.0	26.9	21.5
14	26.0	32.0	28.9	23.5
15	28.0	34.0	30.9	25.5
16	30.0	36.0	32.9	27.5



**PHS-2AWT-B**

Specifications / 技术规格:

Current rating: 2A  
 额定电流: 2A  
 Voltage rating: 100V AC,DC  
 额定电压: 100V AC, DC  
 Insulation Resistance: 1000MΩ Min.  
 绝缘电阻: 最小1000MΩ  
 Dielectric Withstanding: 800V AC 1分钟  
 耐压: 800V AC 1分钟  
 Contact Resistance: 20mΩ Max.  
 接触电阻: 最大20mΩ  
 Operating Temperature: -25°C to +85°C  
 工作温度: -25°C 到 85°C

Materials / 材料:

Contact Material: Brass(Sn plating)  
 接触铜针材料: 黄铜(镀锡)  
 Soldering Terminal: Bronze(Sn plating)  
 焊片材料: 磷铜(镀锡)  
 Insulation Material: LCP or PA UL94V-0  
 绝缘体材料: LCP 或 PA UL94V-0

 **浙江快利电子有限公司**  
 Zhejiang Kuaili Electronic Co., Ltd

GENERAL TOLERANCE	
X.* ± 3'	.XXX ±0.10
.X* ± 2'	.XX ±0.15
.XX* ± 1'	.X ±0.25
.XXX* ± 0.5'	X. ±0.35

DESIGN:	HELLER	DATE:	2023.7.1
CHECKED:	张国旭	DATE:	2023.7.1
AUDITED:	朱继衡	DATE:	2023.7.1
APPROVED:	王子林	DATE:	2023.7.1

DWG. NO.	PART NO. KL-PHS-NAWT-B-02-BE
TITLE.	

**PHS-NAWT-B 连接器**

REV.	A	UNIT.	MM	SCALE.	1:1
