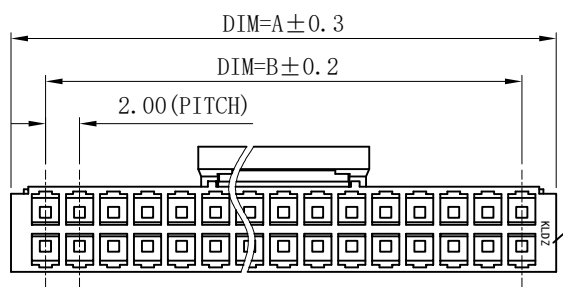
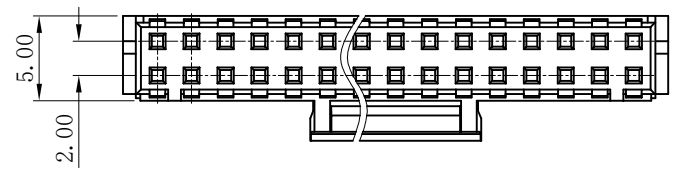
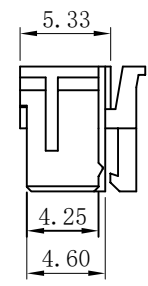
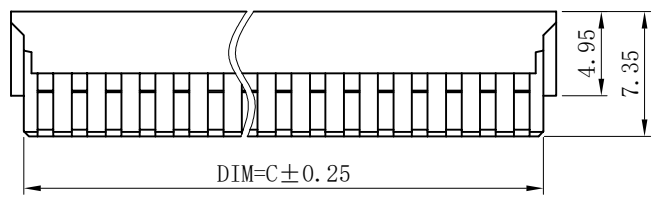
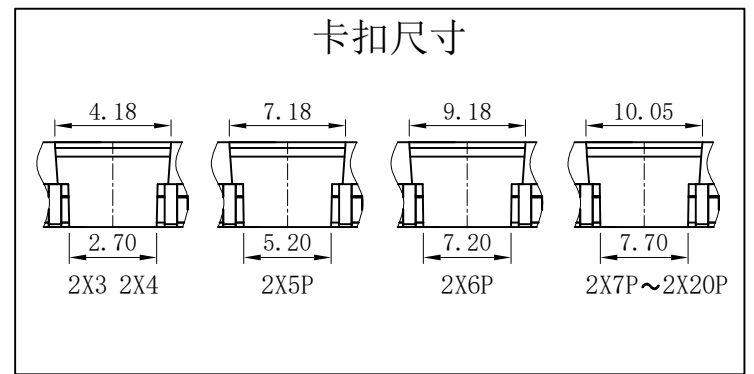


ROHS	REV.	ECN NO	DESCRIPTION	REVISED	DATE
	A		新订图面	KEVIN	



此处刻公司LOGO(KLDZ或KL),  
具体以实物为准。



P数	DIM=A	DIM=B	DIM=C
2×20	42.05	38.00	40.55
2×19	40.05	36.00	38.55
2×18	38.05	34.00	36.55
2×17	36.05	32.00	34.55
2×16	34.05	30.00	32.55
2×15	32.05	28.00	30.55
2×14	30.05	26.00	28.55
2×13	28.05	24.00	26.55
2×12	26.05	22.00	24.55
2×11	24.05	20.00	22.55
2×10	22.05	18.00	20.55
2×9	20.05	16.00	18.55
2×8	18.05	14.00	16.55
2×7	16.05	12.00	14.55
2×6	14.05	10.00	12.55
2×5	12.05	8.00	10.55
2×4	10.05	6.00	8.55
2×3	8.05	4.00	6.55

Specifications / 技术规格:

Current Rating: 3A  
 额定电流: 3A  
 Insulation Resistance: 1000MΩ Min.  
 绝缘电阻: 最小1000MΩ  
 Dielectric Withstanding: 800V AC  
 耐电压: 800V AC  
 Operating Temperature: -25°C to +85°C  
 工作温度: -25°C 到 85°C

Materials / 材料:

Insulation Material: PA or PBT UL94V-2 Natural  
 绝缘体塑胶材料: PA 或 PBT UL94 V-2 本色

浙江快利电子有限公司  
 Zhejiang Kuaili Electronic Co., Ltd.

GENERAL TOLERANCE	
X° ± 3°	.XXX: --
.X° ± 2°	.XX: ±0.20
.XX° ± 1°	.X: ±0.30
.XXX° ± 0.5°	X: --

DESIGN: KEVIN	DATE: 2015-03-10
CHECKED:	DATE:
AUDITED:	DATE:
APPROVED:	DATE:

DWG. NO.	PART NO. PHC-2×NY-01-W
TITLE.	
PHC-2×NY	

REV. A	UNIT. MM	SCALE. 1:1	
--------	----------	------------	--