

REV.	ECN NO	DESCRIPTION	REVISED	DATE
A		新订图面	HELLER	2021.08.24
B	20220421017	修改 <sup>②</sup> 处	HELLER	2022.04.21

Specifications / 技术规格:

Current Rating: 2A AC,DC

额定电流: 2A AC,DC

Voltage rating: 100V AC,DC

额定电压: 100V AC,DC

Insulation Resistance: 1000MΩ Min.

绝缘电阻: 最小1000MΩ

Dielectric Withstanding: 800V AC

耐电压: 800V AC

Operating Temperature: -25°C to +85°C

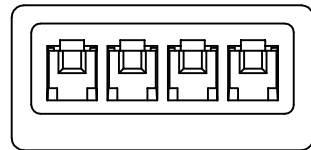
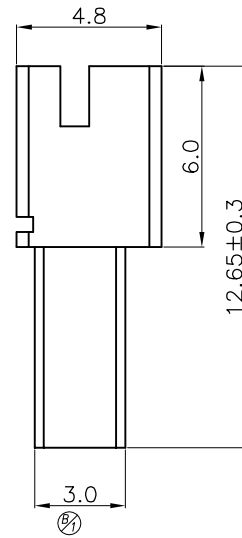
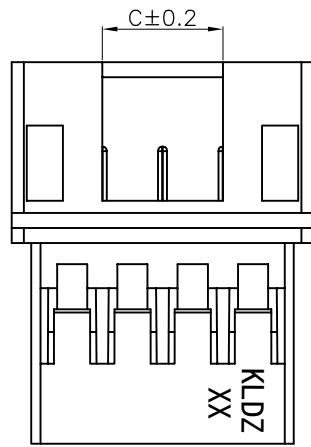
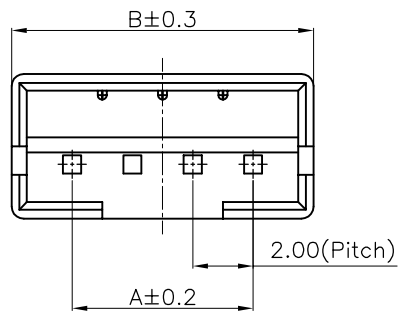
工作温度: -25°C 到 85°C

Materials / 材料:

Insulation Material: PA or PBT UL94 V-2 Natural

绝缘体塑胶材料: PA or PBT UL94 V-2 本色

孔数	A	B	C
2	2.00	6.00	1.00
3	4.00	8.00	2.00
4	6.00	10.00	4.00
5	8.00	12.00	6.00
6	10.00	14.00	8.00
7	12.00	16.00	10.00
8	14.00	18.00	12.00
9	16.00	20.00	14.00
10	18.00	22.00	16.00
11	20.00	24.00	18.00
12	22.00	26.00	20.00
13	24.00	28.00	22.00
14	26.00	30.00	24.00
15	28.00	32.00	26.00
16	30.00	34.00	28.00



**浙江快利电子有限公司**  
ZheJiang KuaiLi Electronic Co., LTD.

GENERAL TOLERANCE

X.: ± 3'	X.: ± 0.35
.X: ± 2'	X.X: ± 0.25
.XX: ± 1'	X.XX: ± 0.15
.XXX: ± 0.5'	X.XXX: ± 0.10

DESIGN: 瞿益远

DATE: 2022-04-21

DWG. NO.

TITLE.

CHECKED:

DATE:

PART NO.

**PH-NAS**

APPROVED:

DATE:

KL-PH-NAS

REV.	UNIT.	SCALE.	PROJ.
B	mm	-	