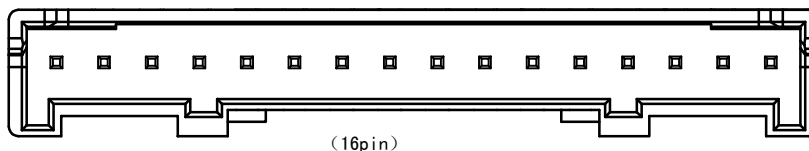
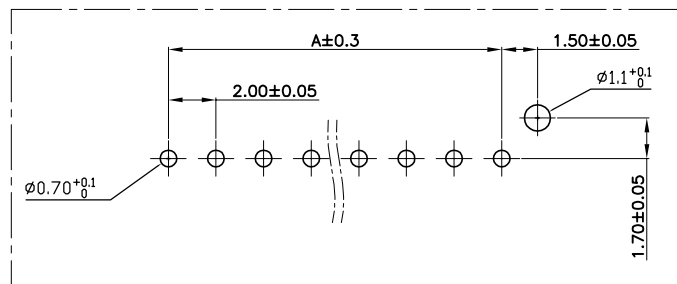
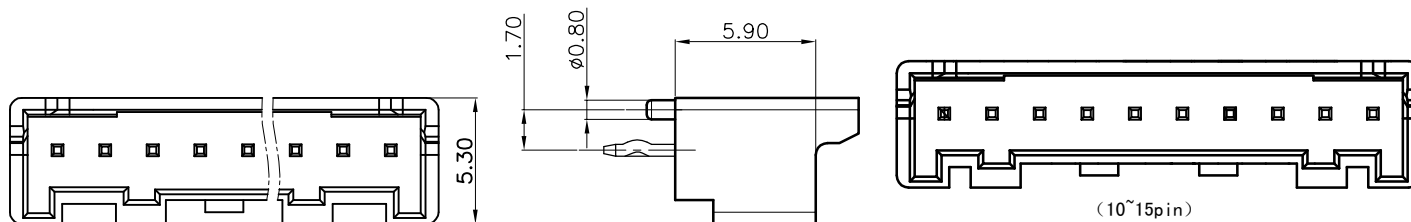
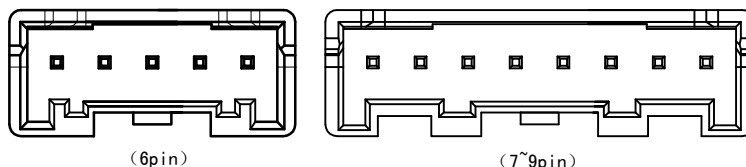
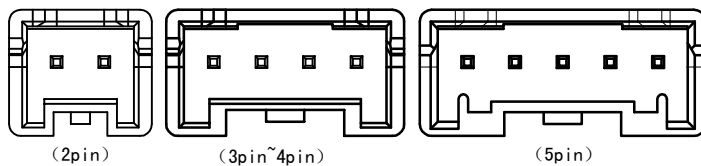
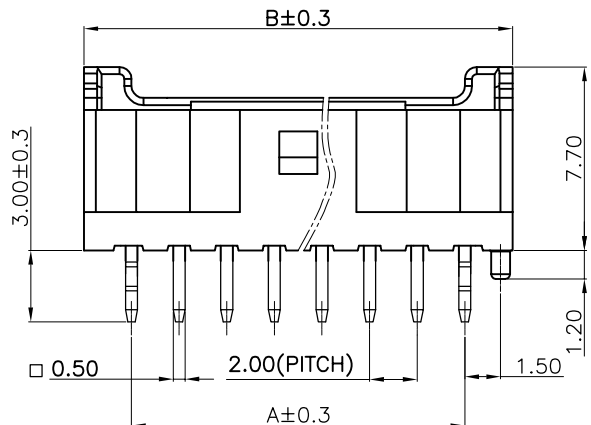


REV.	ECN NO	DESCRIPTION	REVISED	DATE
A	/	新订图面	张国旭	2023.3.8

RoHS

线数 PIN数	尺寸 A	尺寸 B
2	2.0	6.0
3	4.0	8.0
4	6.0	10.0
5	8.0	12.0
6	10.0	14.0
7	12.0	16.0
8	14.0	18.0
9	16.0	20.0
10	18	22
11	20	24
12	22	26
13	24	28
14	26	30
15	28	32
16	30	34



Specifications / 技术规格:

Current rating: 3A AC,DC(AWG#22)  
额定电流: 3A AC, DC(AWG#22)

Voltage rating: 250V AC,DC  
额定电压: 250V AC, DC

Insulation Resistance: 1000MΩ Min.  
绝缘电阻: 最小1000MΩ

Dielectric Withstanding: 800V AC 1Min  
耐电压: 800V AC 1分钟

Contact Resistance: 20mΩ Max.  
接触电阻: 最大20mΩ

Operating Temperature: -25°C to +85°C  
工作温度: -25°C 到 85°C

Materials / 材料:

Contact Material: Brass(Tin plated)  
接触端子材料: 黄铜(镀锡)

Insulation Material: PA or PBT UL94V-0 Natural  
绝缘塑胶材质: PA 或 PBT UL94V-0 本色

**浙江快利电子有限公司**  
ZheJiang KuaiLi Electronic Co., LTD.

GENERAL TOLERANCE	
X.: ± 3'	X.: ±0.35
.X: ± 2'	X.X: ±0.30
.XX: ± 1'	X.XX: ±0.20
.XXX: ± 0.5'	X.XXX: ±0.10

DESIGN:	张国旭	DATE:	2023.3.8
CHECKED:	朱继衡	DATE:	2023.3.8
APPROVED:	王子林	DATE:	2023.3.8

DWG. NO.	KL-PA-NAD-H02
PART NO.	
TITLE.	

PA-NAD  
(高温纵向打K)

REV.	A	UNIT.	mm	SCALE.	-	PROJ.	
------	---	-------	----	--------	---	-------	--