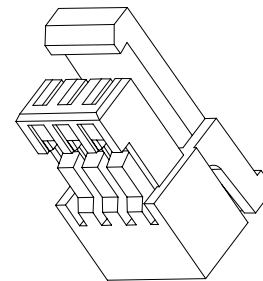
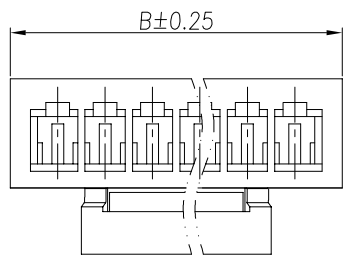
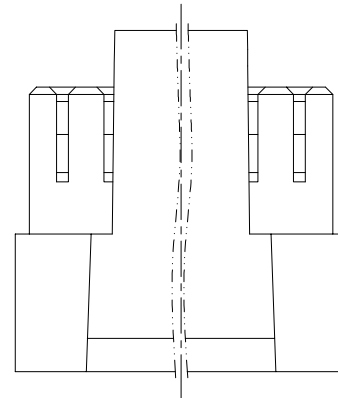
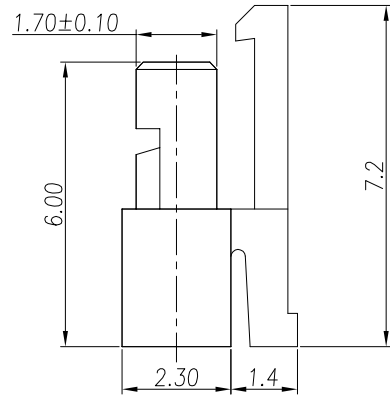
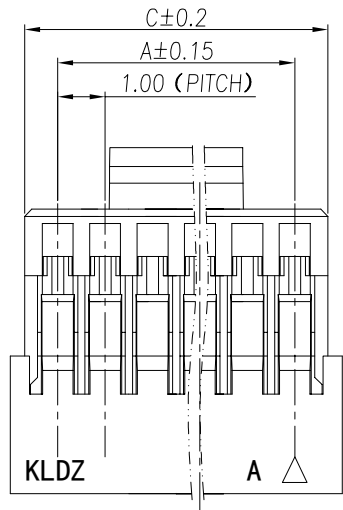


1 2 3 4 5 6 7 8 9

ROHS

REV.	ECN NO	DESCRIPTION	REVISED	DATE
A		新订图面	KEVIN	2015.5.10
A1	20200703020	增加扣脚强度	HELLER	2020.7.03



Specifications/技术规格:

Current Rating: 1A
 额定电流: 1A
 Voltage rating: 50V AC,DC
 额定电压: 50V AC,DC
 Insulation Resistance: 500MΩ Min.
 绝缘电阻: 最小500MΩ
 Dielectric Withstanding: 500V AC
 耐电压: 500V AC
 Operating Temperature: -25°C to +85°C
 工作温度: -25°C 到 85°C

Materials/材料:

Insulation Material: PA or PBT UL94V-0
 绝缘体塑胶材料: PA 或 PBT UL94V-0

PIN	DIM(mm)		
	A	B	C
2	1.00	3.00	2.40
3	2.00	4.00	3.40
4	3.00	5.00	4.40
5	4.00	6.00	5.40
6	5.00	7.00	6.45
7	6.00	8.00	7.40
8	7.00	9.00	8.40
9	8.00	10.00	9.40
10	9.00	11.00	10.40
11	10.00	12.00	11.40
12	11.00	13.00	12.40
13	12.00	14.00	13.40
14	13.00	15.00	14.40
15	14.00	16.00	15.40
16	15.00	17.00	16.40

 浙江快利电子有限公司
 Zhejiang Kuaili Electronic Co., Ltd

GENERAL TOLERANCE

X.° ± 3°	X. XXX: ±0.10
.X° ± 2°	X. XX: ±0.15
.XX° ± 1°	X. X: ±0.25
.XXX° ± 0.5°	X.: ±0.35

DESIGN: HELLER

DATE: 2020.7.03

DWG. NO.

TITLE.

CHECKED: 朱建慧

DATE: 2020.7.03

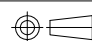
PART NO.

NHB-NY

APPROVED: 朱建华

DATE: 2020.7.03

KL-NHB-NY

REV.	UNIT.	MM	SCALE.	
A1			---	

1 2 3 4 5 6 7 8 9