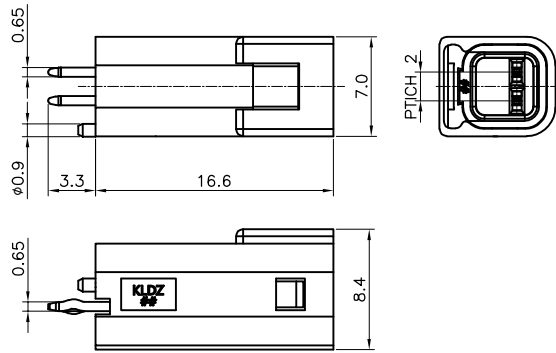
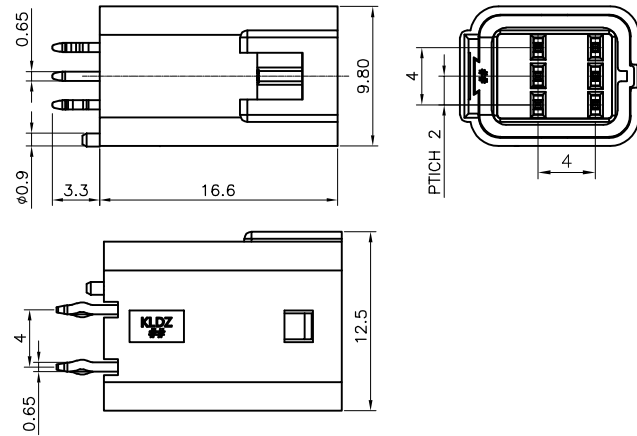


REV.	ECN NO	DESCRIPTION	REVISED	DATE
A		New drawing	徐民建	24.01.08

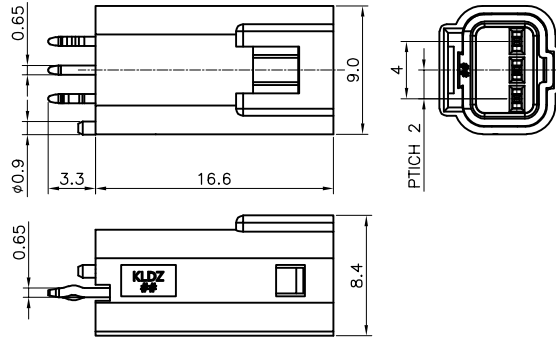
JWPF-2A



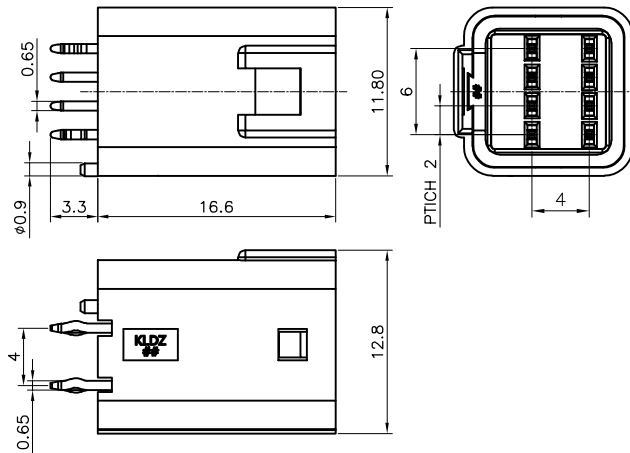
JWPF-2\*3A



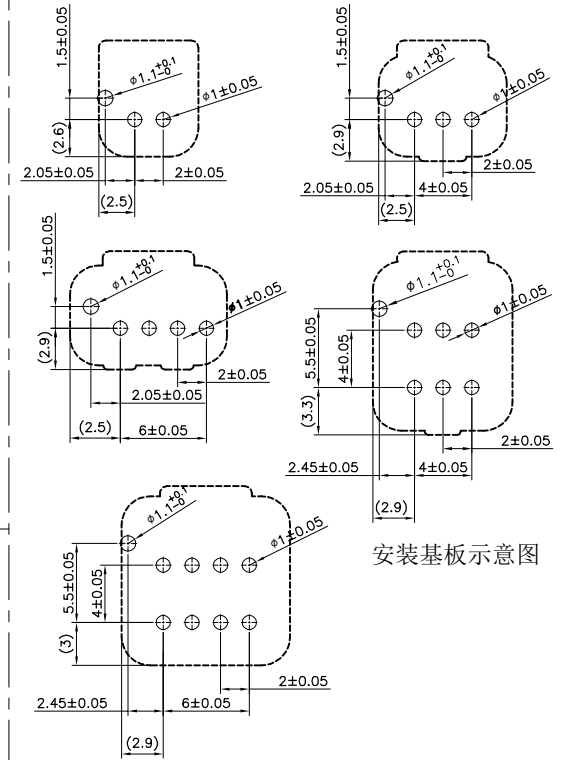
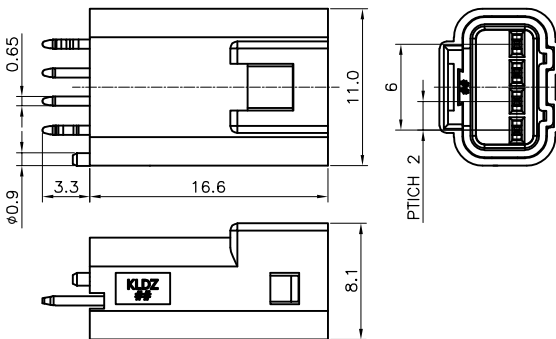
JWPF-3A



JWPF-2\*4A



JWPF-4A



Specifications / 技术规格:

Current Rating: 3A

额定电流: 3A

Insulation Resistance: 1000MΩ Min.  
绝缘电阻: 最小1000MΩ

Dielectric Withstanding: 800V AC  
耐电压: 800V AC

Contact Resistance: 20mΩ Max.  
接触电阻: 最大20mΩ

Operating Temperature: -25°C to +85°C  
工作温度: -25°C 到 85°C

Materials / 材料:

Insulation Material: PA or PBT UL94V-0/2  
绝缘体塑胶材料: PA或PBT UL94V-0/2

浙江快利电子有限公司  
ZheJiang KuaiLi Electronic Co., LTD.

GENERAL TOLERANCE	
X. ° : ±3°	X. : --
.X° : ±2°	X.X: ±0.30
.XX° : ±1°	X.XX: ±0.20
.XXX° : ±0.5°	X.XXX: ±0.10

DESIGN:	徐民建	DATE:	2024. 1. 8
CHECKED:	王子林	DATE:	2024. 1. 8
APPROVED:	朱建华	DATE:	2024. 1. 8

DWG. NO.	
PART NO.	KL-JWPF-NA-06-W

TITLE.	JWPF-NA
--------	---------

REV.	UNIT.	SCALE.	PAGE.	PROJ.
A	mm	-	1/1	