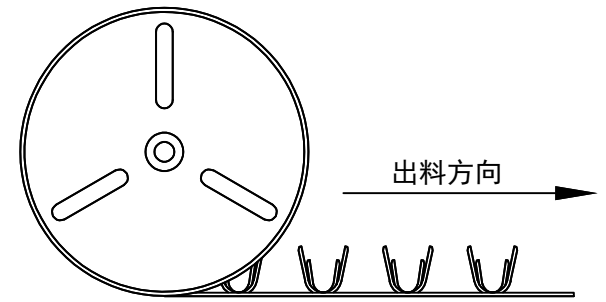
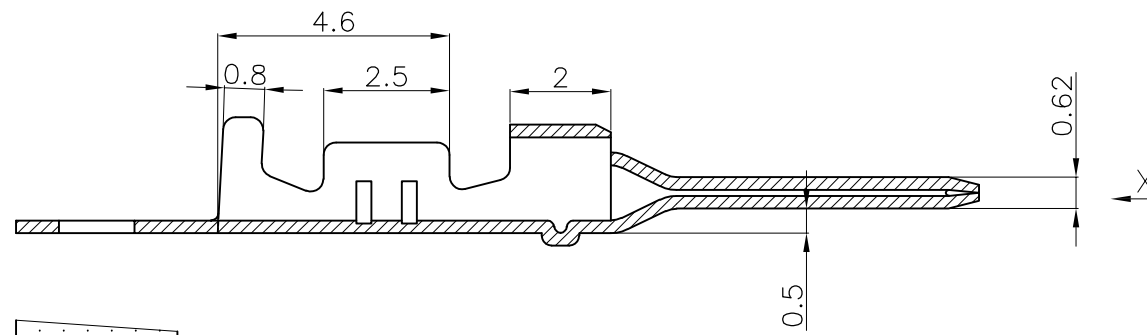
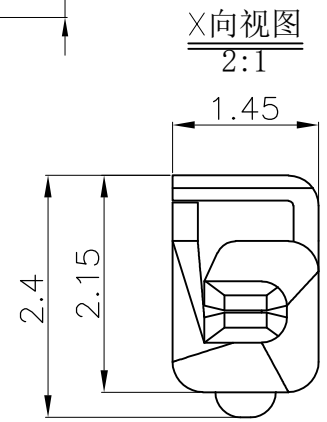
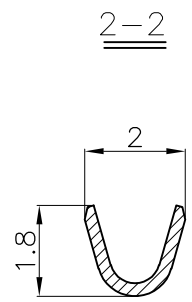
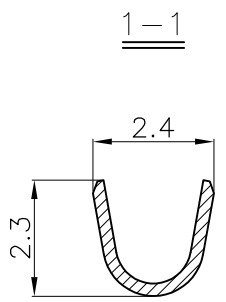
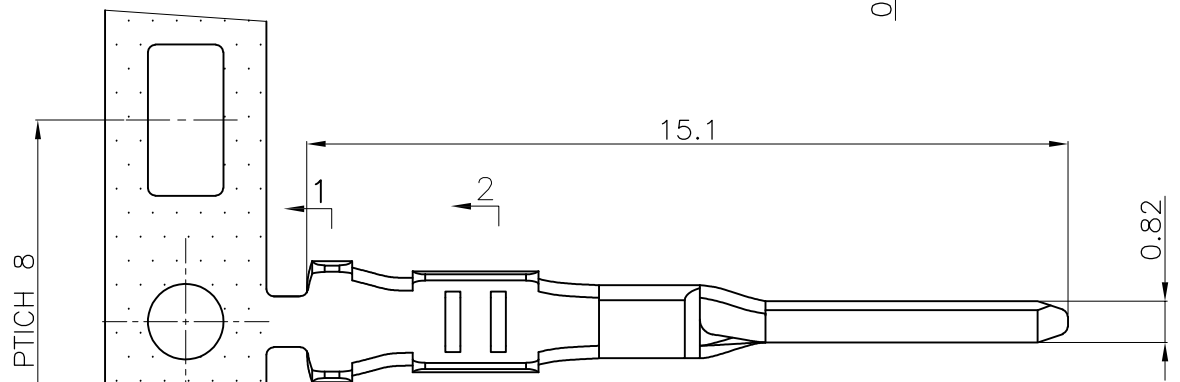


REV.	ECN NO	DESCRIPTION	REVISED	DATE
A		新订图面	XMJ	23.12.19



出料示意图
(料带朝内, 压线脚朝上)



Specifications / 技术规格:

Current Rating: 3A(22AWG)
额定电流: 3A (22AWG)

Insulation Resistance: 1000MΩ Min.
绝缘电阻: 最小1000MΩ

Dielectric Withstanding: 800V AC
耐电压: 800V AC

Contact Resistance: 20mΩ Max.
接触电阻: 最大20mΩ

Operating Temperature: -25°C to +85°C
工作温度: -25° C 到 85° C

Materials / 材料:

Contact Material: Phosphor Bronze(Tin plating)
接触端子材料: 磷铜(镀锡)

Recommended wire gauge: AWG26#-22#
推荐线规: AWG26#-22#

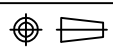
 浙江快利电子有限公司
Zhejiang Kuaili Electronic Co., Ltd

GENERAL TOLERANCE	
X.* ± X.*	.*** ±0.10
.X* ± X.	.** ±0.15
.XX* ± XX.	. * ±0.25
.XXX* ± 0.5*	*. ±0.35

DESIGN:	徐民建	DATE:	23.12.19
CHECKED:	徐民建	DATE:	23.12.19
AUDITED:	王子林	DATE:	23.12.19
APPROVED:	朱建华	DATE:	23.12.19

DWG. NO.	
PART NO.	KL-JWPF-AT

TITLE.	JWPF-AT
--------	---------

REV.	A	UNIT.	MM	SCALE.	---	
------	---	-------	----	--------	-----	---