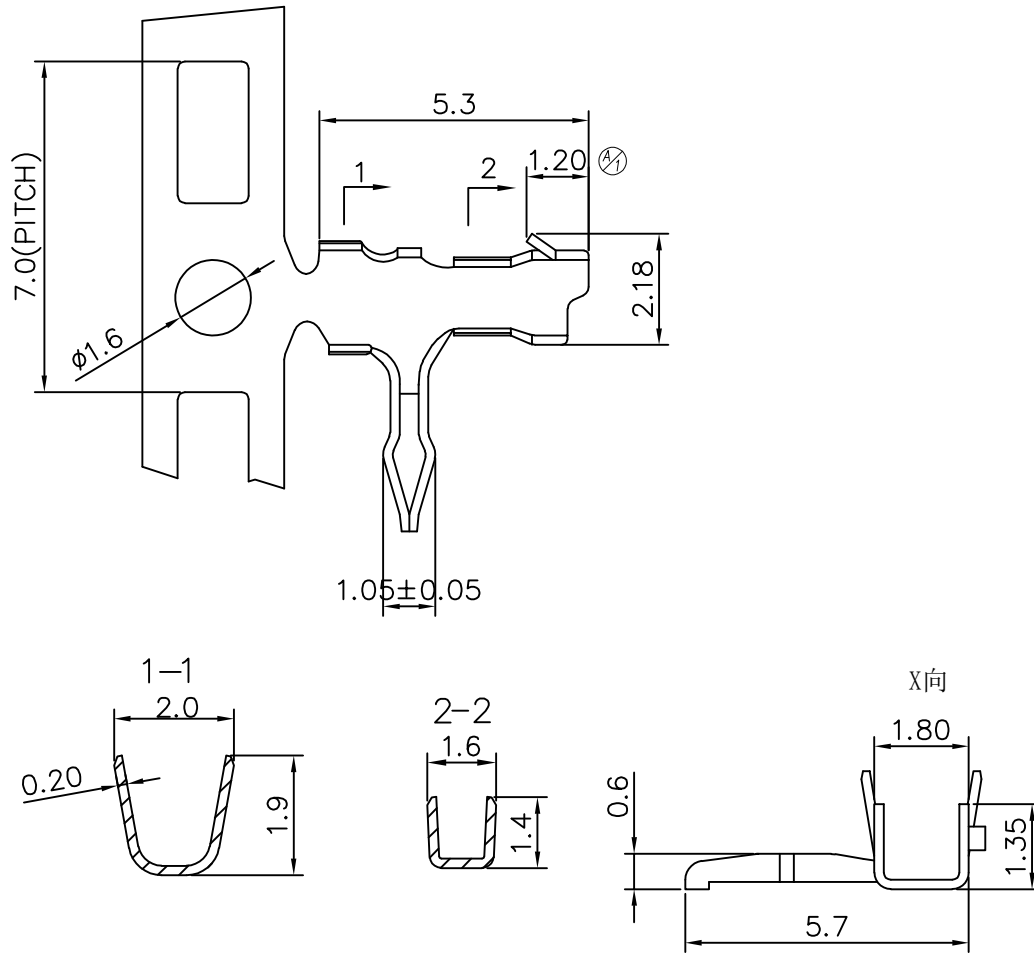


REV.	ECN NO	DESCRIPTION	REVISED	DATE
A		新订图面	KEVIN	2016.4.18
A1	20201124021	更新 $\text{\textcircled{A1}}$ 处尺寸	李晓明	2020.11.24



Specifications /技术规格:

Current Rating: 2A
 额定电流: 2A
 Insulation Resistance: 1000MΩ Min.
 绝缘电阻: 最小1000MΩ
 Dielectric Withstanding: 800V AC
 耐电压: 800V AC
 Contact Resistance: 20mΩ Max.
 接触电阻: 最大20mΩ
 Operating Temperature: -25°C to +85°C
 工作温度: -25°C 到 85°C

Materials /材料:

Contact Material: Phosphor Bronze(Tin plating)
 接触端子材料: 磷铜(镀锡)

浙江快利电子有限公司
 ZheJiang KuaiLi Electronic Co., LTD.

GENERAL TOLERANCE	
X.: ± 3°	X.: ±0.35
.X: ± 2°	X.X: ±0.25
.XX: ± 1°	X.XX: ±0.15
.XXX: ± 0.5°	X.XXX: ±0.10

DESIGN:	李晓明	DATE:	2020-11-24
CHECKED:	瞿益远	DATE:	2020-11-24
APPROVED:	朱建华	DATE:	2020-11-24

DWG. NO.	
PART NO.	KL-JC20-TE

TITLE.	JC20-TE
--------	---------

REV.	UNIT.	SCALE.	PAGE.	PROJ.
A1	mm	-	1/1	