

ROHS

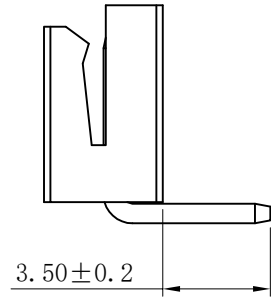
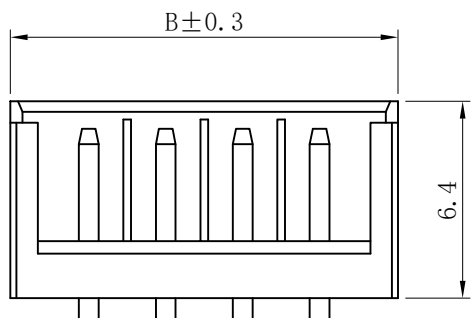
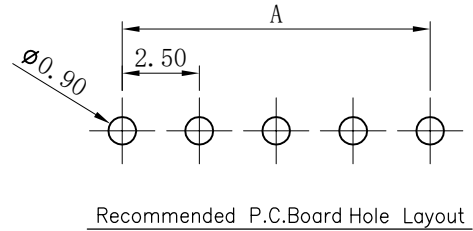
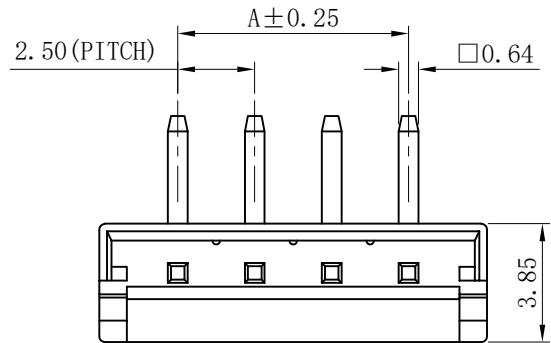
REV.	ECN NO	DESCRIPTION	REVISED	DATE
A		新订图面	KEVIN	

Specifications / 技术规格:

Current rating: 3A
 额定电流: 3A
 Voltage rating: 250V AC,DC
 额定电压: 250V AC,DC
 Insulation Resistance: 1000MΩ Min.
 绝缘电阻: 最小1000MΩ
 Dielectric Withstanding: 1000V AC 1Min
 耐压: 1000V AC 1分钟
 Contact Resistance: 20mΩ Max.
 接触电阻: 最大20mΩ
 Operating Temperature: -25°C to +85°C
 工作温度: -25°C 到85°C

Materials / 材料:

Contact Material: Brass(Sn plating)
 接触端子材料: 黄铜(镀锡)
 Insulation Material:
 PA or PBT UL94 V-2



PIN数	A	B
2	2.50	7.60
3	5.00	10.10
4	7.50	12.60
5	10.00	15.10
6	12.50	17.60
7	15.00	20.10
8	17.50	22.60
9	20.00	25.10
10	22.50	27.60
11	25.00	30.10
12	27.50	32.60
13	30.00	35.10
14	32.50	37.60
15	35.00	40.10
16	37.50	42.60

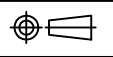
 **浙江快利电子有限公司**
 Zhejiang Kuaili Electronic Co., Ltd

GENERAL TOLERANCE	
X. ± 3°	.XXX: ±0.10
.X° ± 2°	.XX : ±0.15
.XX° ± 1°	.X : ±0.25
.XXX° ± 0.5°	X. : ±0.35

DESIGN:	KEVIN	DATE:	13'.4.8
CHECKED:		DATE:	
AUDITED:		DATE:	
APPROVED:		DATE:	

DWG. NO.	
PART NO.	KL-EH-NAW

TITLE:	EH-NAW
--------	--------

REV.	A	UNIT.	MM	SCALE.	1:1	
------	---	-------	----	--------	-----	---