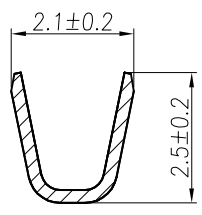
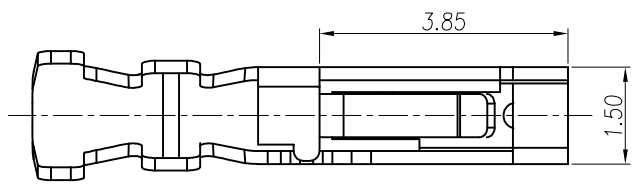
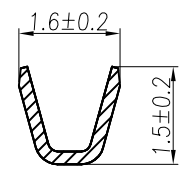
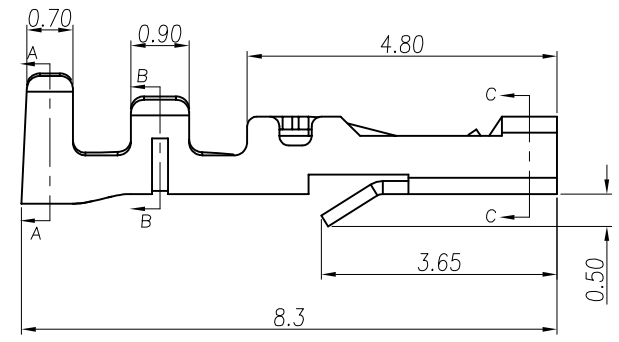
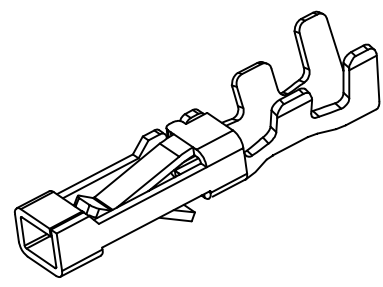


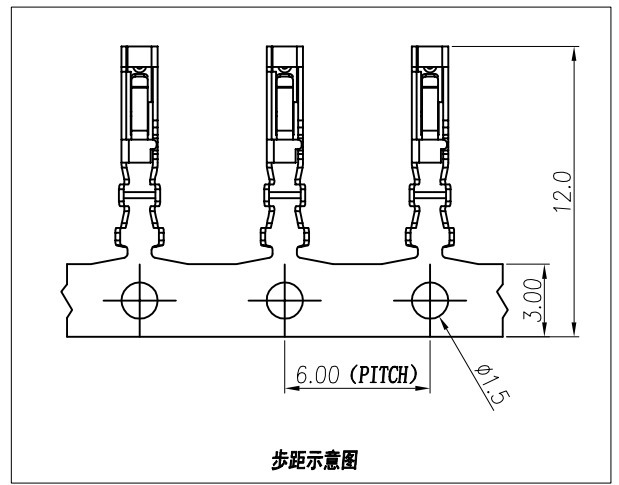
REV.	ECN NO	DESCRIPTION	REVISED	DATE
A		新订图面	KEVIN	



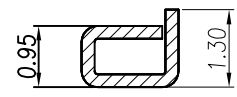
SECT. A-A



SECT. B-B



步距示意图



SECT. C-C

- 备注:
1. 材料: 磷铜, T=0.20±0.02mm.
  2. 电镀规格: 表面镀锡.
  3. 额定电流: 2A
  4. 接触电阻: 20mΩ MAX

 浙江快利电子有限公司

GENERAL TOLERANCE	
X. <sup>o</sup> ± X.'	.XXX: ±0.10
.X' ± X.	.XX : ±0.15
.XX' ± 1'	.X : ±0.25
.XXX' ± 0.5'	X. : ±0.35

DESIGN: KEVIN  
 CHECKED:  
 APPROVED:

DATE: 2015-3-7  
 DATE:  
 DATE:

DWG. NO.  
 PART NO. KL-CB2.0-YT

TITLE.  
 超薄2.0-公端子  
 CB2.0-YT

REV.	A	UNIT.	MM	SCALE.	-	