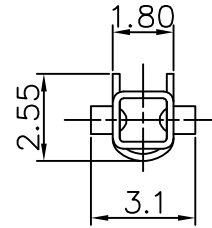
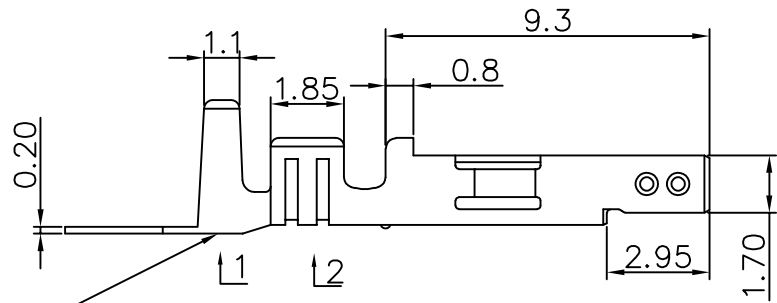
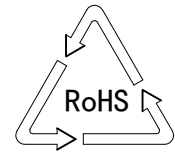
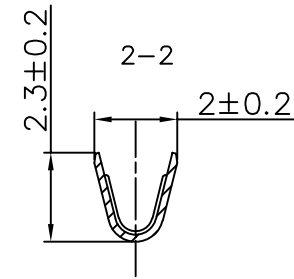
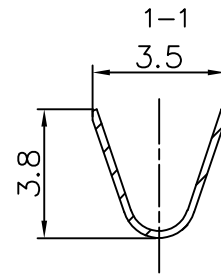
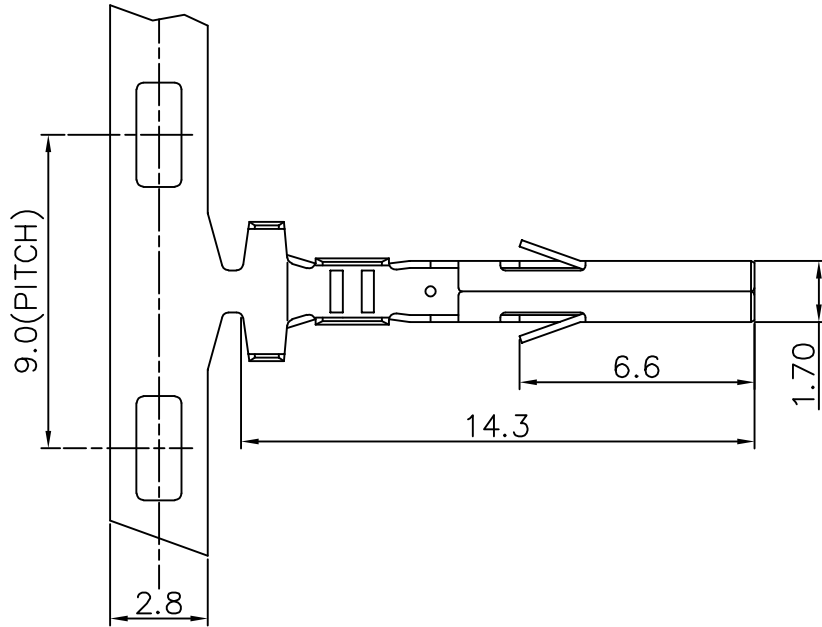


REV.	ECN NO	DESCRIPTION	REVISED	DATE
A		新订图面	KEVIN	14.05.20



此处刻公司LOGO (KL)



材料名称	材料厚度	表面处理	适用导线规格	备注
锡青铜	0.2mm	镀锡	AWG24#~20#	

**浙江快利电子有限公司**  
Zhejiang Kuaili Electronic Co., Ltd

GENERAL TOLERANCE	
X* ± 3'	.XXX: ±0.10
.X* ± 2'	.XX: ±0.15
.XX* ± 1'	.X: ±0.25
.XXX* ± 0.5'	X: ±0.35

DESIGN:	KEVIN	DATE:	2014-05-20
CHECKED:		DATE:	
AUDITED:		DATE:	
APPROVED:		DATE:	

DWG. NO.	
PART NO.	KL-C4201G-TE

TITLE.	C4201G-TE
--------	-----------

REV.	A	UNIT.	MM	SCALE.	1:1