

REV.	ECN NO	DESCRIPTION	REVISED	DATE
A		新订图面	HELLER	2023.12.12

Specifications / 技术规格:

Current Rating: 5A AC,DC

额定电流: 5A AC,DC

Voltage rating: 250V AC,DC

额定电压: 250V AC,DC

Insulation Resistance: 500MΩ Min.

绝缘电阻: 最小500MΩ

Dielectric Withstanding: 1500V AC

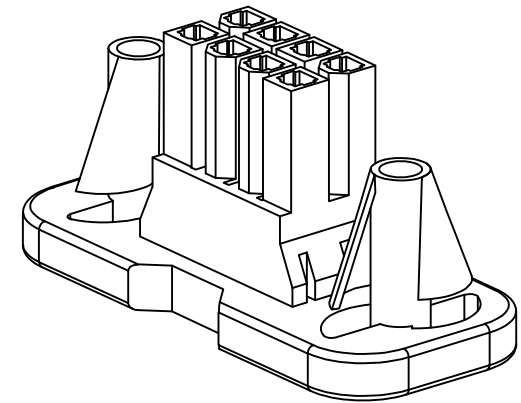
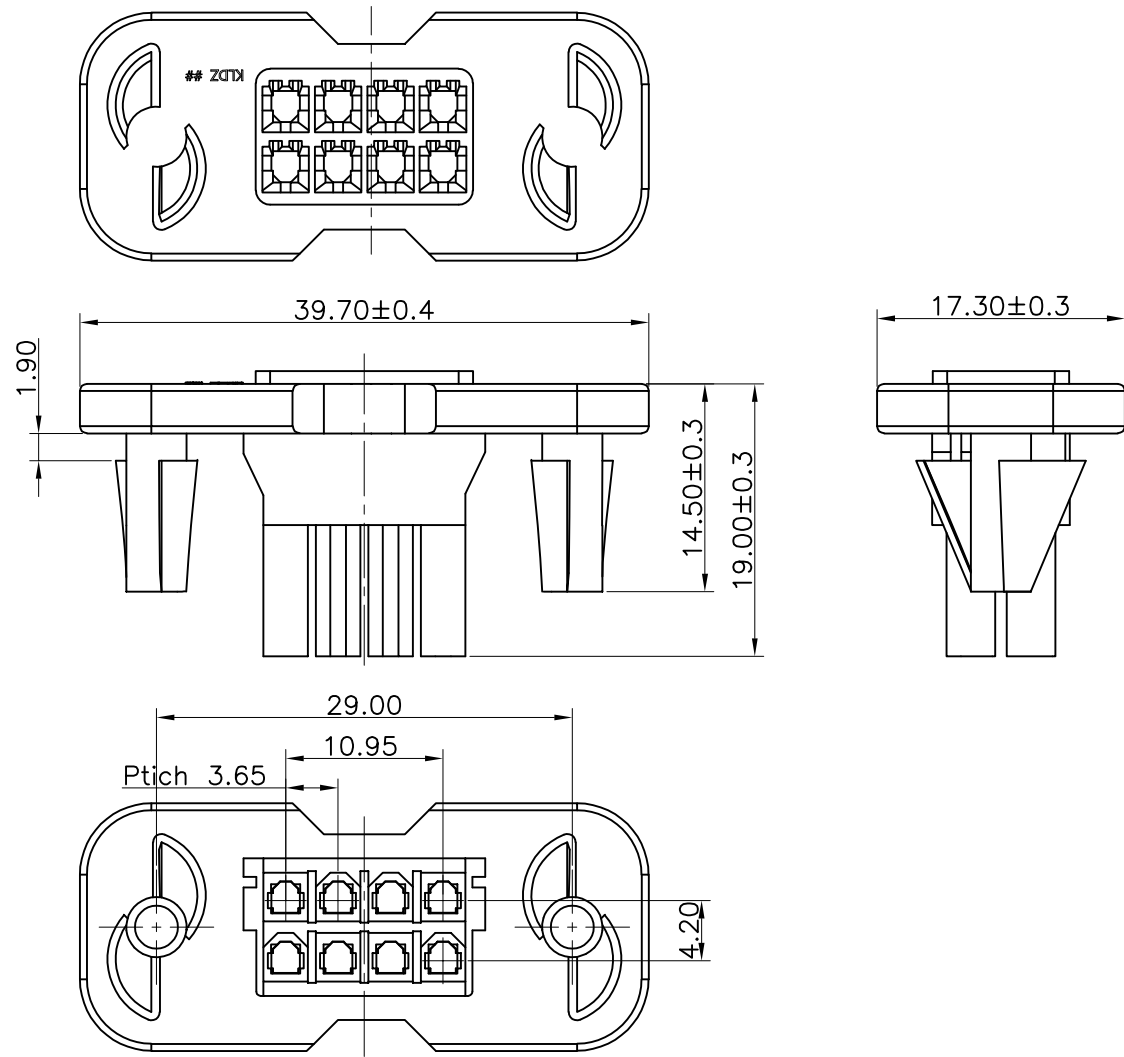
耐电压: 1500V AC

Operating Temperature: -25°C to +85°C

工作温度: -25°C 到 85°C

Materials / 材料:

Insulation Material: PA UL94 V-0/V-2 Natural



浙江快利电子有限公司
ZheJiang KuaiLi Electronic Co., LTD.

REV.	UNIT.	SCALE.	PROJ.
A	mm	-	

GENERAL TOLERANCE	
X.: ± 3'	X.: ±0.40
.X: ± 2'	X.X: ±0.30
.XX: ± 1'	X.XX: ±0.20
.XXX: ± 0.5'	X.XXX: ±0.10

DESIGN:	徐民建
CHECKED:	王子林
APPROVED:	朱建华

DATE:	2023-12-12
DATE:	2023-12-12
DATE:	2023-12-12

DWG. NO.	
PART NO.	KL-C36501G-2X4Y-09-W

TITLE.	C36501G-2X4Y
--------	---------------------