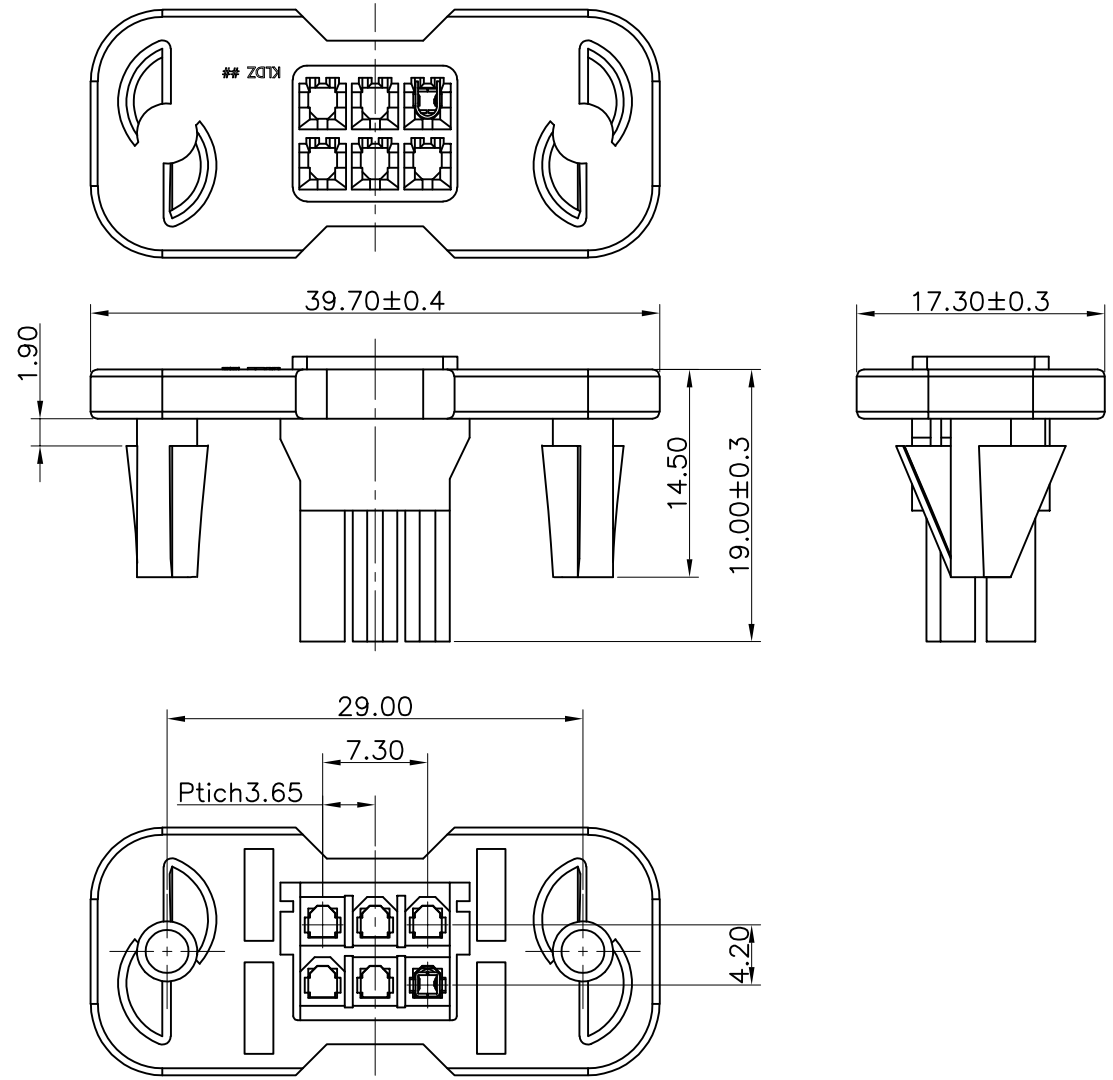


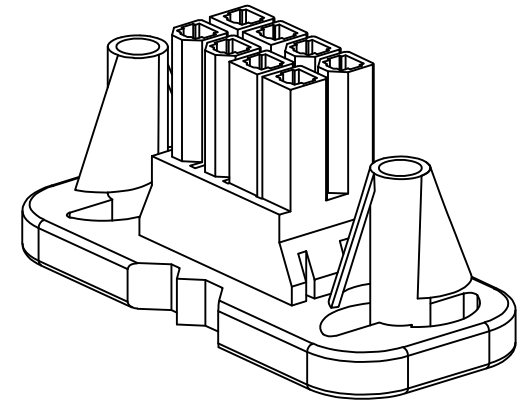
REV.	ECN NO	DESCRIPTION	REVISED	DATE
A		新订图面	HELLER	2023.12.12



Specifications / 技术规格:

Current Rating: 5A AC,DC  
 额定电流: 5A AC,DC  
 Voltage rating: 250V AC,DC  
 额定电压: 250V AC,DC  
 Insulation Resistance: 500MΩ Min.  
 绝缘电阻: 最小500MΩ  
 Dielectric Withstanding: 1500V AC  
 耐电压: 1500V AC  
 Operating Temperature: -25°C to +85°C  
 工作温度: -25°C 到 85°C

Materials / 材料:  
 Insulation Material: PA UL94 V-0/V-2 Natural



**浙江快利电子有限公司**  
 ZheJiang KuaiLi Electronic Co., LTD.

GENERAL TOLERANCE	
X.: ± 3'	X.: ±0.40
.X: ± 2'	X.X: ±0.30
.XX: ± 1'	X.XX: ±0.20
.XXX: ± 0.5'	X.XXX: ±0.10

DESIGN:	徐民建	DATE:	2023-12-12
CHECKED:	王子林	DATE:	2023-12-12
APPROVED:	朱建华	DATE:	2023-12-12

DWG. NO.	
PART NO.	KL-C36501G-2X3Y-09-W

TITLE.	<b>C36501G-2X3Y</b>
--------	---------------------

REV.	UNIT.	SCALE.	PROJ.
A	mm	-	

REV.	ECN NO	DESCRIPTION	REVISED	DATE
A		新订图面	HELLER	2023.12.12

Specifications / 技术规格:

Current Rating: 5A AC,DC

额定电流: 5A AC,DC

Voltage rating: 250V AC,DC

额定电压: 250V AC,DC

Insulation Resistance: 500MΩ Min.

绝缘电阻: 最小500MΩ

Dielectric Withstanding: 1500V AC

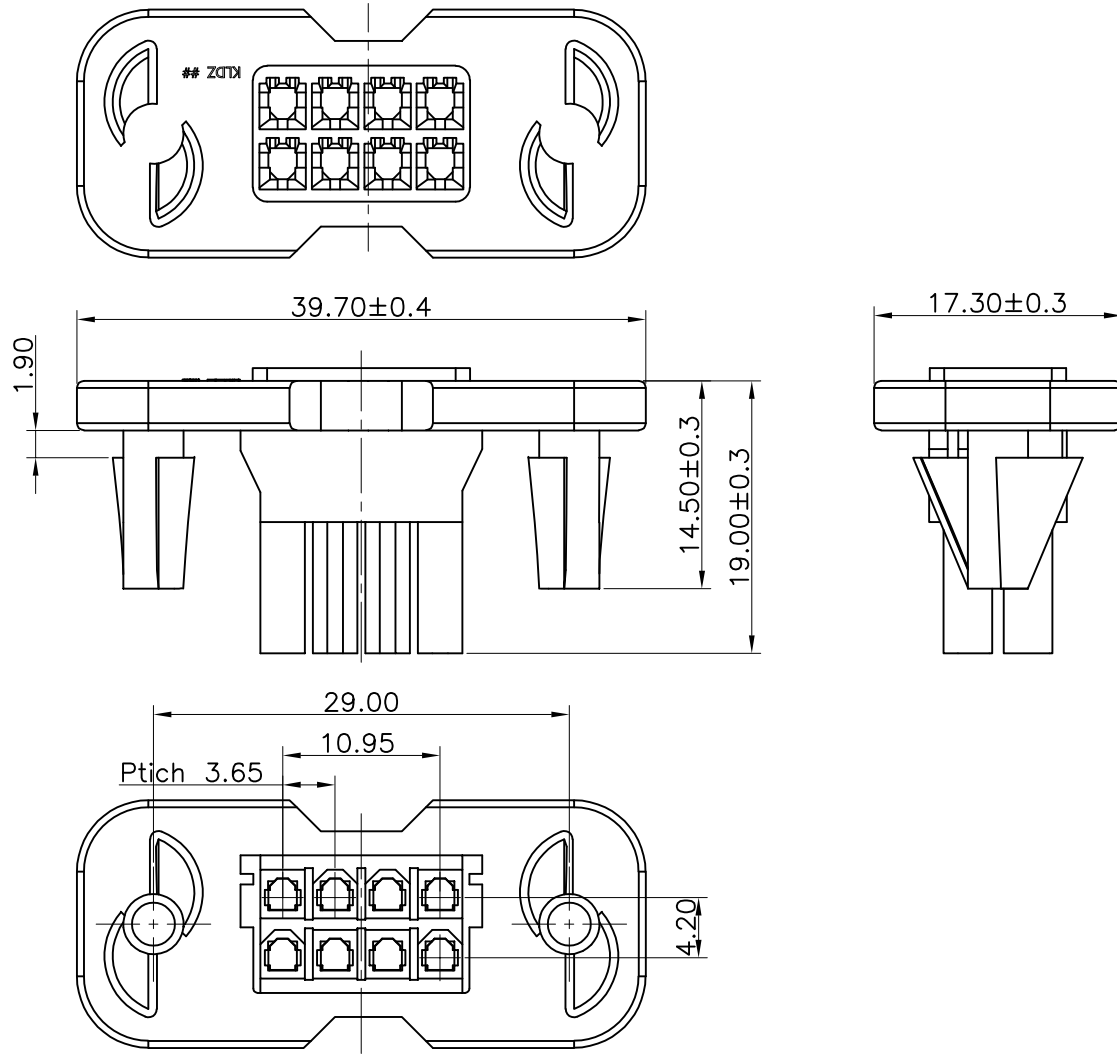
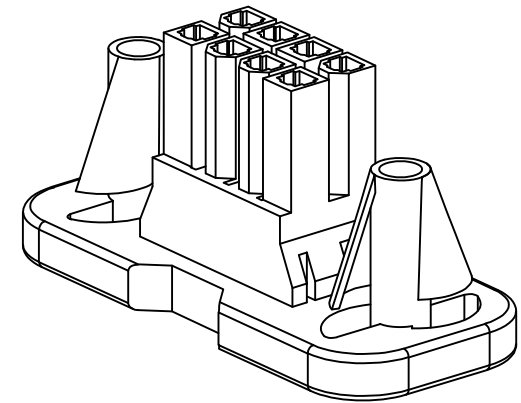
耐电压: 1500V AC

Operating Temperature: -25°C to +85°C

工作温度: -25°C 到 85°C

Materials / 材料:

Insulation Material: PA UL94 V-0/V-2 Natural



 浙江快利电子有限公司  
ZheJiang KuaiLi Electronic Co., LTD.

GENERAL TOLERANCE

X.: ± 3'	X.: ± 0.40
.X: ± 2'	X.X: ± 0.30
.XX: ± 1'	X.XX: ± 0.20
.XXX: ± 0.5'	X.XXX: ± 0.10

DESIGN: 徐民建

DATE: 2023-12-12

CHECKED: 王子林

DATE: 2023-12-12

APPROVED: 朱建华

DATE: 2023-12-12

DWG. NO.

PART NO.

KL-C36501G-2X4Y-09-W

TITLE.

C36501G-2X4Y

REV.	UNIT.	SCALE.	PROJ.
A	mm	-	