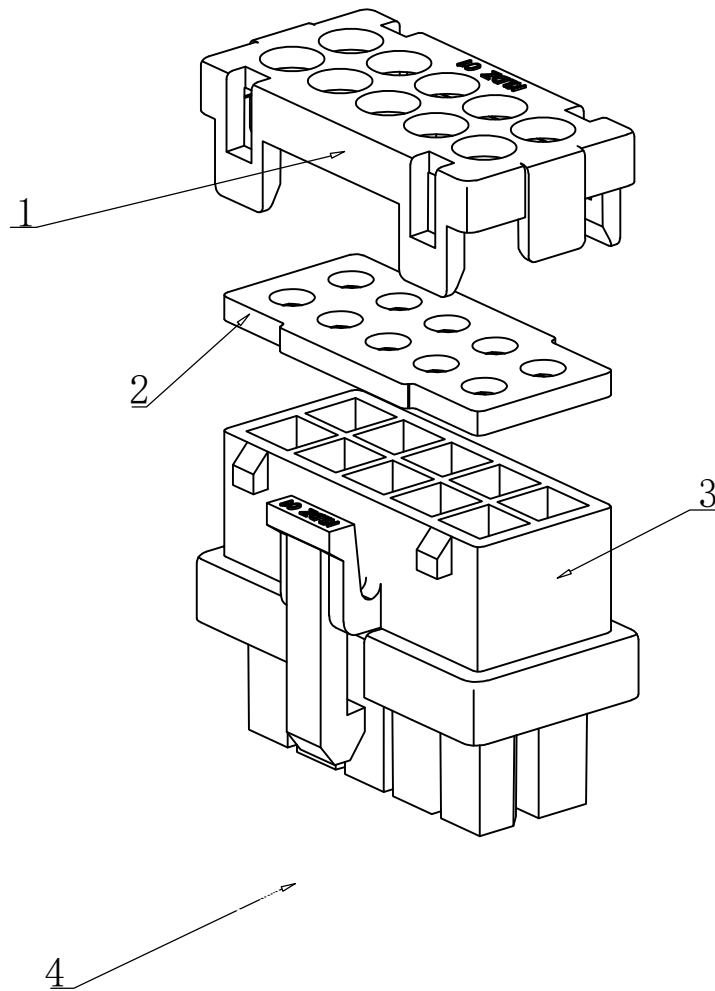
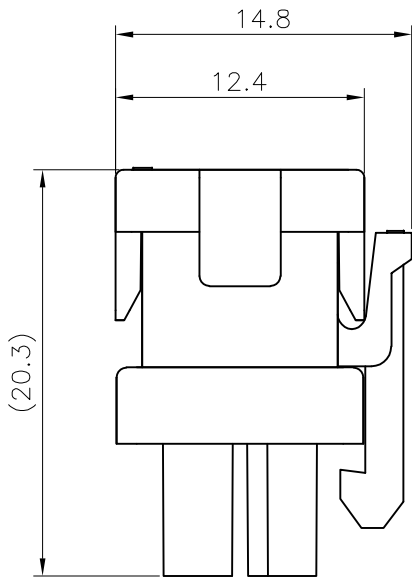


安装尺寸示意图

REV.	ECN NO	DESCRIPTION	REVISED	DATE
A		新订图面	HELLER	2023.05.06



序号	名称
1	5557F-防水盖
2	5557F-防水胶垫
3	5557F-壳体
4	5557F-防水胶圈

 浙江快利电子有限公司
ZheJiang Kuaili Electronic Co., LTD.

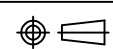
GENERAL TOLERANCE	
X.: ± 3'	X.: ±0.40
.X: ± 2'	X.X: ±0.30
.XX: ± 1'	X.XX: ±0.20
.XXX: ± 0.5'	X.XXX: ±0.10

DESIGN: 徐民建
CHECKED: 王子林
APPROVED: 朱建华

DATE: 2023-09-05
DATE: 2023-09-05
DATE: 2023-09-05

DWG. NO.
PART NO.
KL-5557F

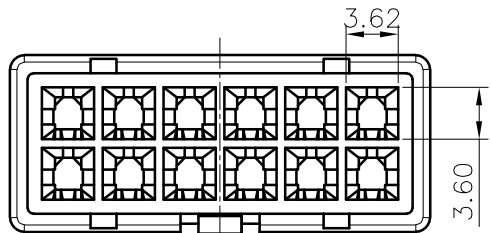
TITLE.
5557F安装示意图

REV.	UNIT.	SCALE.	PROJ.
A	mm	-	

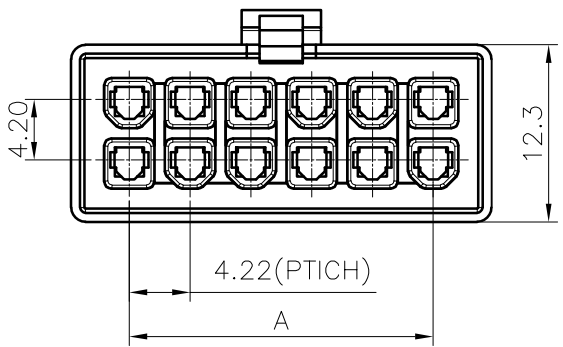
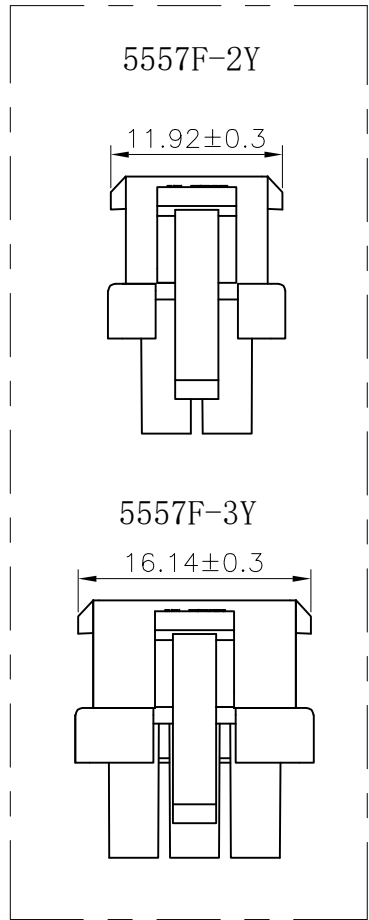
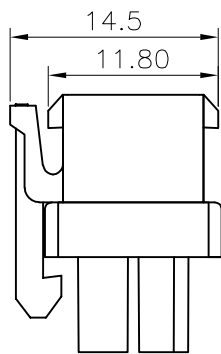
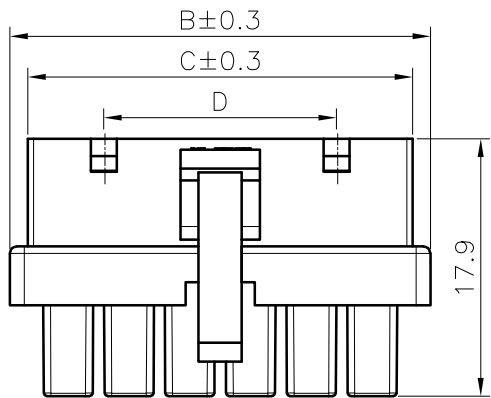
1 2 3 4 5 6 7 8 9

ROHS

REV.	ECN NO	DESCRIPTION	REVISED	DATE
A		新订图面	KEVIN	2023.09.15



模号 商标



Specifications / 技术规格:

Current rating: 7A
 额定电流: 7A
 Voltage rating: 250V AC,DC
 额定电压: 250V AC,DC
 Insulation Resistance: 1000MΩ Min.
 绝缘电阻: 最小1000MΩ
 Dielectric Withstanding: 1500V AC 1Min
 耐电压: 1500V AC 1分钟
 Contact Resistance: 20mΩ Max.
 接触电阻: 最大20mΩ
 Operating Temperature: -25°C to +85°C
 工作温度: -25°C到+85°C
 Waterproof rating: IPX6
 防水等级: IPX6
 Materials / 材料:
 Insulation Material: Nylon UL94V-0
 绝缘体塑胶材质: 尼龙 UL94 V-0

CKT	A	B	C	D
2*2	4.20	12.32	9.85	/
2*3	8.40	16.54	14.07	/
2*5	16.80	24.98	22.51	16.16
2*6	21.00	29.20	26.73	16.16

浙江快利电子有限公司
 Zhejiang Kuaili Electronic Co., Ltd

GENERAL TOLERANCE

X.* ± 3'	.XXX: ±0.10
.X' ± 2'	.XX : ±0.20
.XX' ± 1'	.X : ±0.30
.XXX' ± 0.5'	X. : ±0.35

DESIGN: KEVIN
 CHECKED: 徐民建
 AUDITED: 朱继衡
 APPROVED: 王子林

DATE: 2023.09.16
 DATE: 2023.09.16
 DATE: 2023.09.16
 DATE: 2023.09.16

DWG. NO.
 PART NO.
 KL-5557F-2XNY

TITLE:
 5557F-2XNY壳体

REV.	A1	UNIT.	MM	SCALE.	1:1

1 2 3 4 5 6 7 8 9

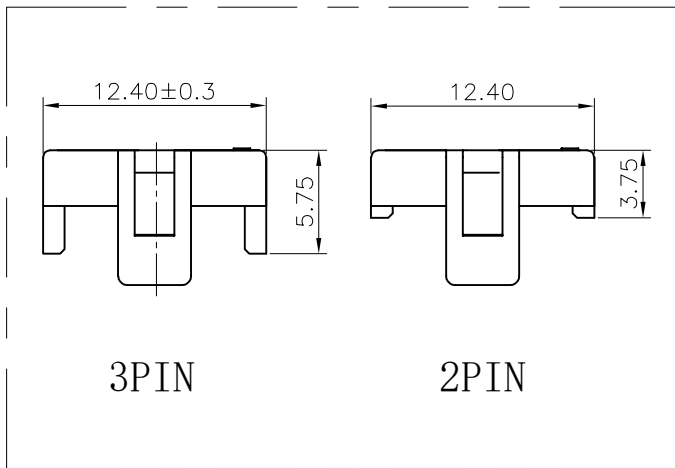
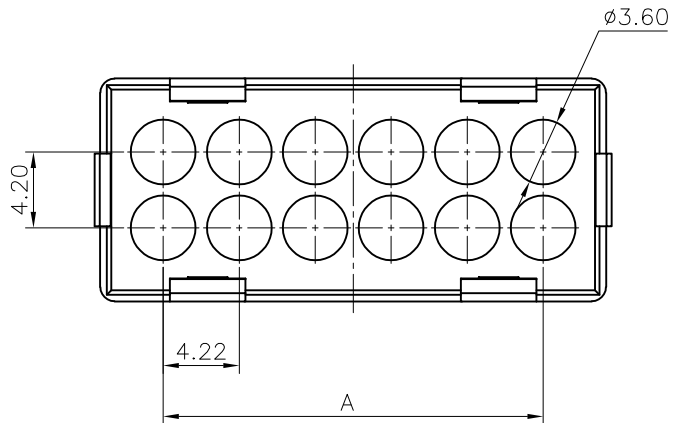
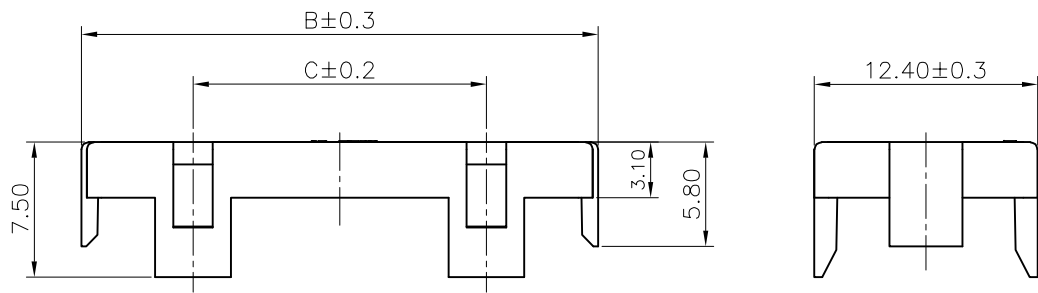
1 2 3 4 5 6 7 8 9

ROHS

REV.	ECN NO	DESCRIPTION	REVISED	DATE
A		新订图面	KEVIN	2023.09.15

Specifications / 技术规格:

Current rating: 7A
 额定电流: 7A
 Voltage rating: 250V AC,DC
 额定电压: 250V AC,DC
 Insulation Resistance: 1000MΩ Min.
 绝缘电阻: 最小1000MΩ
 Dielectric Withstanding: 1500V AC 1Min
 耐电压: 1500V AC 1分钟
 Contact Resistance: 20mΩ Max.
 接触电阻: 最大20mΩ
 Operating Temperature: -25°C to +85°C
 工作温度: -25°C到+85°C
 Waterproof rating: IPX6
 防水等级: IPX6
 Materials / 材料:
 Insulation Material: Nylon/PC UL94V-2
 绝缘体塑胶材质: 尼龙/PC UL94 V-0



CKT	A	B	C
2*2	4.22	11.82	/
2*3	8.44	16.04	/
2*5	16.88	24.48	16.16
2*6	21.10	28.70	16.16

 浙江快利电子有限公司
 Zhejiang Kuaili Electronic Co., Ltd

GENERAL TOLERANCE

X* ± 3'	.XXX : ±0.10
.X' ± 2'	.XX : ±0.20
.XX' ± 1'	.X : ±0.30
.XXX' ± 0.5'	X : ±0.35

DESIGN: KEVIN

DATE: 2023.09.16

DWG. NO.

CHECKED: 徐民建

DATE: 2023.09.16

AUDITED: 朱继衡

DATE: 2023.09.16

APPROVED: 王子林

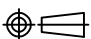
DATE: 2023.09.16

PART NO.

KL-5557F-2XNY

TITLE.

5557F-2XNY防水盖

REV.	A1	UNIT.	MM	SCALE.	1:1
					

1 2 3 4 5 6 7 8 9

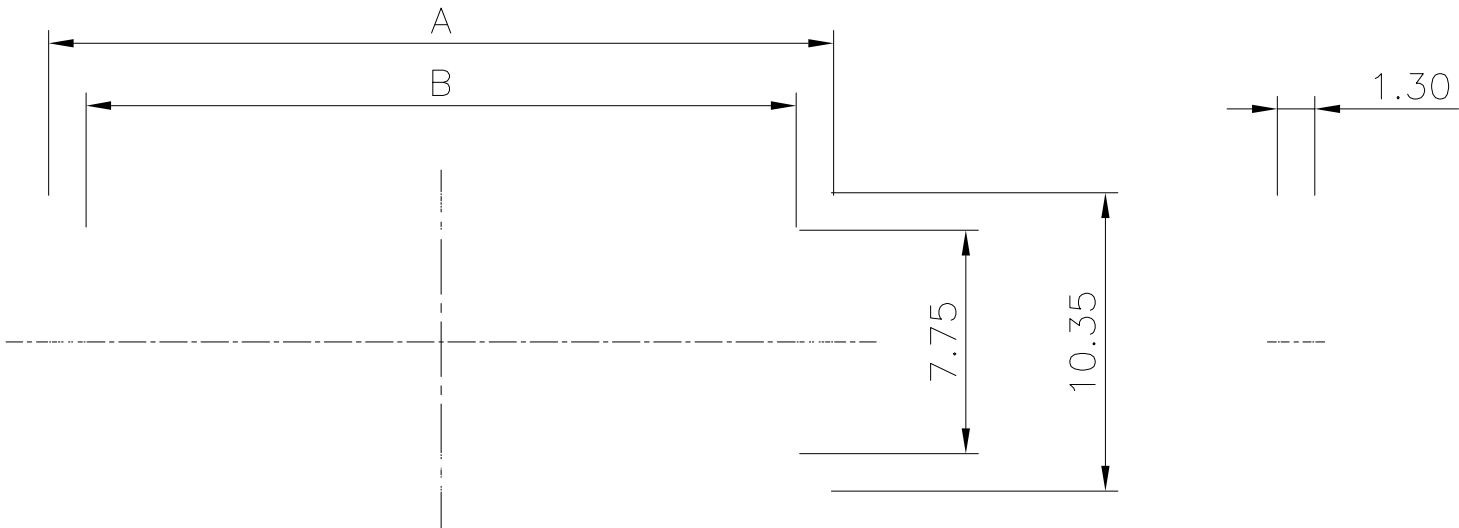
1 2 3 4 5 6 7 8 9

ROHS

REV.	ECN NO	DESCRIPTION	REVISED	DATE
A		新订图面	KEVIN	2023.09.15

Specifications / 技术规格:

Current rating: 7A
 额定电流: 7A
 Voltage rating: 250V AC,DC
 额定电压: 250V AC,DC
 Insulation Resistance: 1000MΩ Min.
 绝缘电阻: 最小1000MΩ
 Dielectric Withstanding: 1500V AC 1Min
 耐电压: 1500V AC 1分钟
 Contact Resistance: 20mΩ Max.
 接触电阻: 最大20mΩ
 Operating Temperature: -25°C to +85°C
 工作温度: -25°C到+85°C
 Waterproof rating: IPX6
 防水等级: IPX6
 Materials / 材料:
 Insulation Material: Silicone
 绝缘体塑胶材质: 硅胶



CKT	A	B
2*2	10.35	7.75
2*3	14.59	11.99
2*5	23.03	20.43
2*6	27.25	24.65

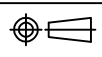
 **浙江快利电子有限公司**
 Zhejiang Kuaili Electronic Co., Ltd

GENERAL TOLERANCE	
X.* ± 3*	.XXX: ±0.20
.X* ± 2*	.XX : ±0.40
.XX* ± 1*	.X : ±0.50
.XXX* ± 0.5*	X. : ±0.60

DESIGN:	KEVIN	DATE:	2023.09.16
CHECKED:	徐民建	DATE:	2023.09.16
AUDITED:	朱继衡	DATE:	2023.09.16
APPROVED:	王子林	DATE:	2023.09.16

DWG. NO.	
PART NO.	KL-5557F-2XNY

TITLE:
5557F-2XNY防水胶圈

REV.	A1	UNIT.	MM	SCALE.	1:1	
------	----	-------	----	--------	-----	---

1 2 3 4 5 6 7 8 9

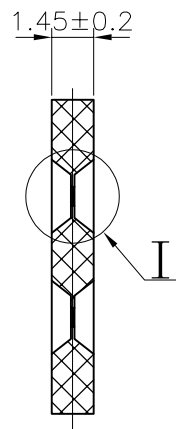
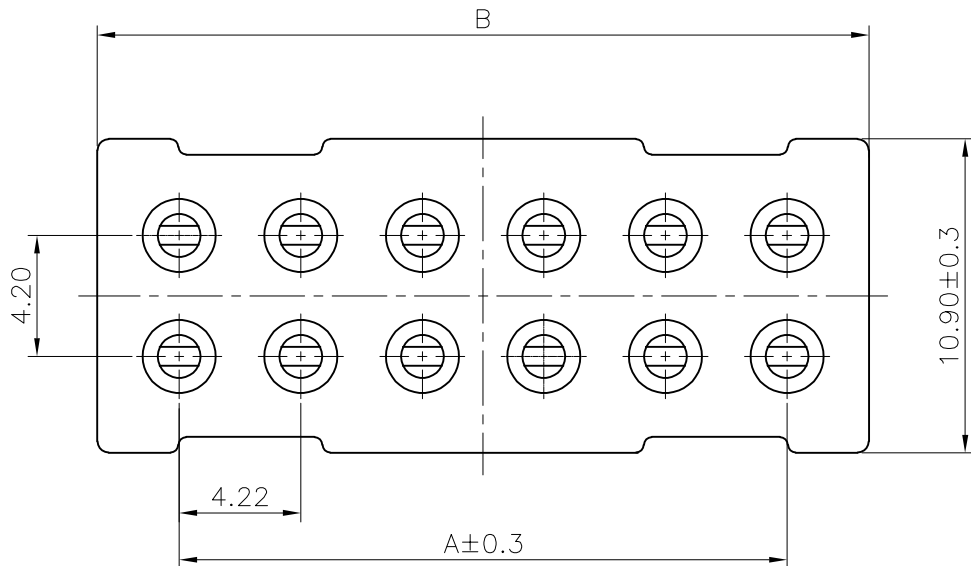
1 2 3 4 5 6 7 8 9

ROHS

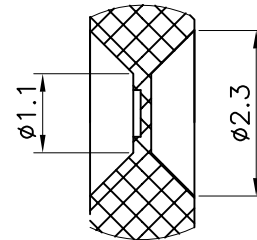
REV.	ECN NO	DESCRIPTION	REVISED	DATE
A		新订图面	KEVIN	2023.09.15

Specifications / 技术规格:

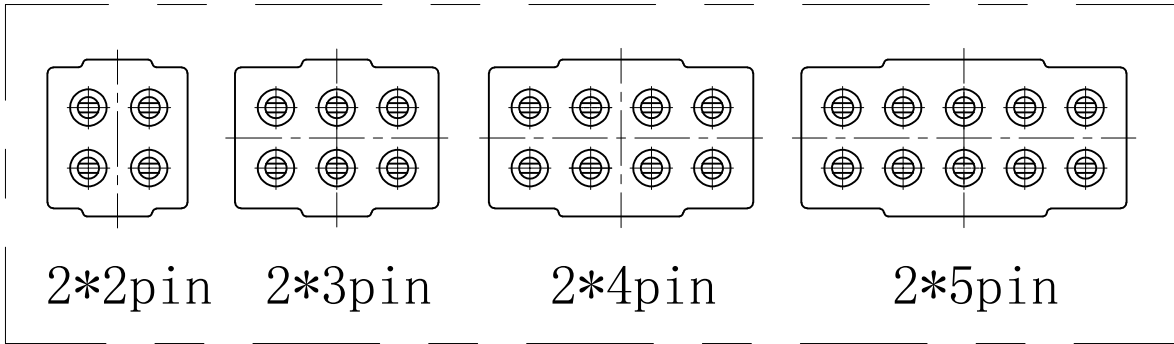
Current rating: 7A
 额定电流: 7A
 Voltage rating: 250V AC,DC
 额定电压: 250V AC,DC
 Insulation Resistance: 1000MΩ Min.
 绝缘电阻: 最小1000MΩ
 Dielectric Withstanding: 1500V AC 1Min
 耐电压: 1500V AC 1分钟
 Contact Resistance: 20mΩ Max.
 接触电阻: 最大20mΩ
 Operating Temperature: -25°C to +85°C
 工作温度: -25°C到+85°C
 Waterproof rating: IPX6
 防水等级: IPX6
 Materials / 材料:
 Insulation Material: Silicone
 绝缘体塑胶材质: 硅胶



I
2.5:1



CKT	A	B
2*2	4.22	9.72
2*3	8.44	13.94
2*5	16.88	22.38
2*6	21.10	26.60



浙江快利电子有限公司
 Zhejiang Kuaili Electronic Co., Ltd

GENERAL TOLERANCE	
X.* ± 3'	.XXX: ±0.20
.X' ± 2'	.XX : ±0.40
.XX' ± 1'	.X : ±0.50
.XXX' ± 0.5'	X. : ±0.60

DESIGN:	KEVIN	DATE:	2023.09.16
CHECKED:	徐民建	DATE:	2023.09.16
AUDITED:	朱继衡	DATE:	2023.09.16
APPROVED:	王子林	DATE:	2023.09.16

DWG. NO.	PART NO. KL-5557F-2XNY
TITLE.	

5557F-2XNY防水胶垫

REV.	A1	UNIT.	MM	SCALE.	1:1	
------	----	-------	----	--------	-----	--

1 2 3 4 5 6 7 8 9