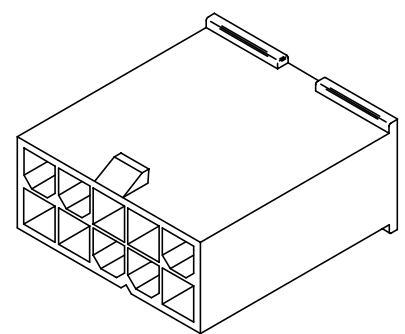
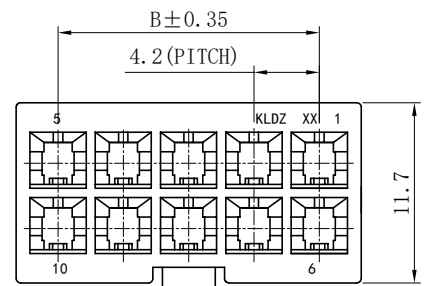


1 2 3 4 5 6 7 8 9

ROHS

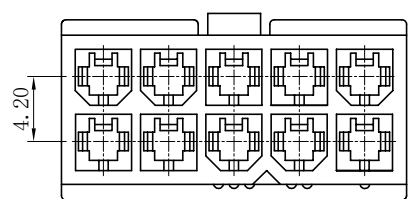
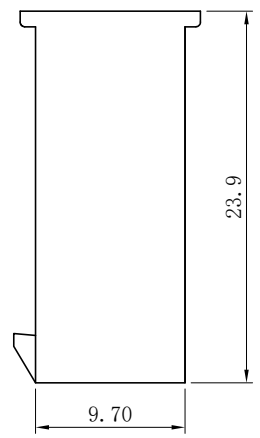
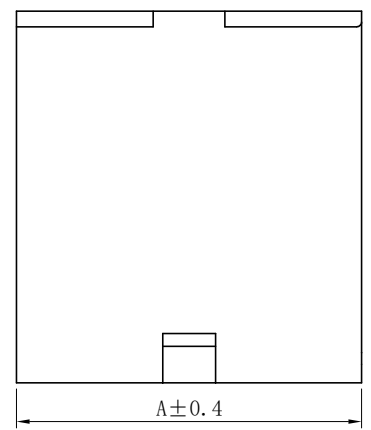
REV.	ECN NO	DESCRIPTION	REVISED	DATE
A		新订图面	KEVIN	2016.1.3



Specifications / 技术规格:

Current rating: 5A
 额定电流: 5A
 Voltage rating: 250V AC, DC
 额定电压: 250V AC, DC
 Insulation Resistance: 1000MΩ Min.
 绝缘电阻: 最小1000MΩ
 Dielectric Withstanding: 1500V AC 1Min
 耐电压: 1500V AC 1分钟
 Contact Resistance: 20mΩ Max.
 接触电阻: 最大20mΩ
 Operating Temperature: -25°C to +85°C
 工作温度: -25°C 到85°C

Materials / 材料:
 Insulation Material: Nylon UL94V-2
 绝缘体塑胶材质: 尼龙 UL94V-2



孔数	尺寸 (mm)	
	A	B
2×1	5.60	/
2×2	9.80	4.20
2×3	14.00	8.40
2×4	18.20	12.60
2×5	22.40	16.80
2×6	26.60	21.00
2×7	30.80	25.20
2×8	35.00	29.40
2×9	39.20	33.60
2×10	43.40	37.80
2×11	47.60	42.00
2×12	51.80	46.20

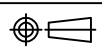
 **浙江快利电子有限公司**
 Zhejiang Kuaili Electronic Co., Ltd

GENERAL TOLERANCE	
X* ± 3'	.XXX: ---
.X* ± 2'	.XX : ±0.25
.XX* ± 1'	.X : ±0.35
.XXX* ± 0.5'	X. : ---

DESIGN:	KEVIN	DATE:	2016-1-3
CHECKED:		DATE:	
AUDITED:		DATE:	
APPROVED:		DATE:	

DWG. NO.	
PART NO.	KL-5559-2XNP-09-TR

TITLE:
5559-2XNP

REV.	A	UNIT.	MM	SCALE.	1:1	
------	---	-------	----	--------	-----	---

1 2 3 4 5 6 7 8 9