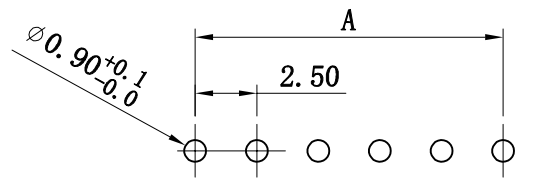
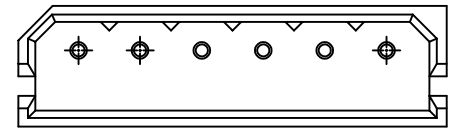
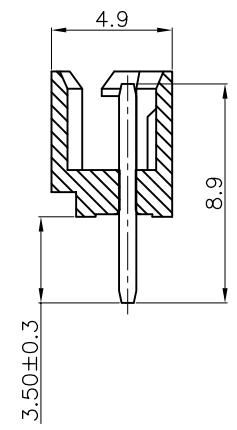
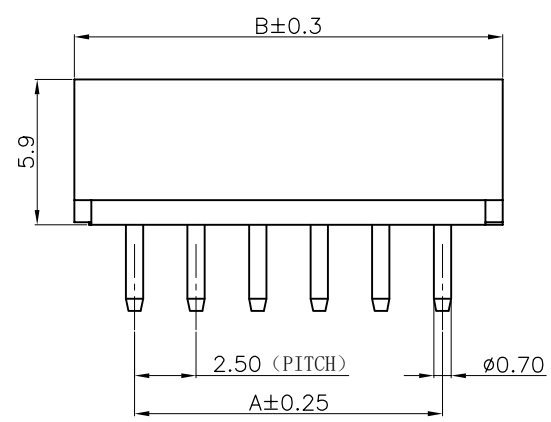


REV.	ECN NO	DESCRIPTION	REVISED	DATE
A		新订图面	HELLER	

ROHS



Recommended P.C.Board Hole Layout



PN 数	A	B
2	2.50	7.40
3	5.00	9.90
4	7.50	12.40
5	10.00	14.90
6	12.50	17.40
7	15.00	19.90
8	17.50	22.40
9	20.00	24.90
10	22.50	27.40
11	25.00	29.90
12	27.50	32.40
13	30.00	34.90
14	32.50	37.40
15	35.00	39.90
16	37.50	42.40

Specifications / 技术规格:

Current rating: 3A
 额定电流: 3A
 Voltage rating: 250V AC,DC
 额定电压: 250V AC,DC
 Insulation Resistance: 1000MΩ Min.
 绝缘电阻: 最小1000MΩ
 Withstanding voltage: 1000V AC 1Min
 耐压: 1000V AC 1分钟
 Contact Resistance: 20mΩ Max.
 接触电阻: 最大20mΩ
 Operating Temperature: -25°C to +85°C
 工作温度: -25° C 到85° C

Materials / 材料:

Contact Material: Brass(Tin plating)
 接触端子材料: 黄铜(镀锡)
 Insulation Material: PA or PBT UL94V-0
 绝缘体塑胶材质: PA 或 PBT UL94V-0

 **浙江快利电子有限公司**
 Zhejiang Kuaili Electronic Co., Ltd

GENERAL TOLERANCE	
X.* ± 3'	X. --
.X* ± 2'	.X ±0.20
.XX* ± 1'	.XX ±0.20
.XXX* ± 0.5'	.XXX --

DESIGN: HELLER
 CHECKED:
 AUDITED:
 APPROVED:

DATE: 2020.11.25
 DATE:
 DATE:
 DATE:

DWG. NO.
 PART NO.
 KL-5264-NA-02-BE

TITLE:
5264-NA
(高温料)

REV.	UNIT.	SCALE.	
A	MM	1:1	