

1 2 3 4 5 6 7 8 9

受控

REV.	ECN NO	DESCRIPTION	REVISED	DATE
A		新订图面	HELLER	2019.8.16

F

E

D

C

B

A

F

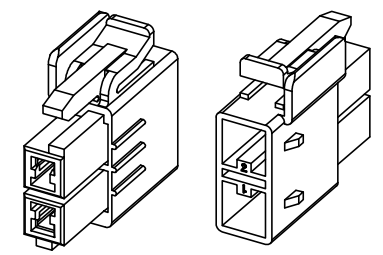
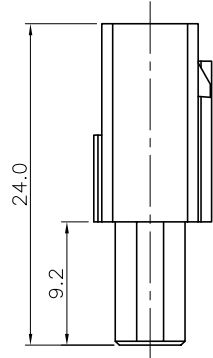
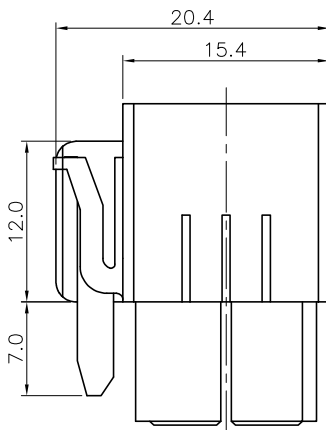
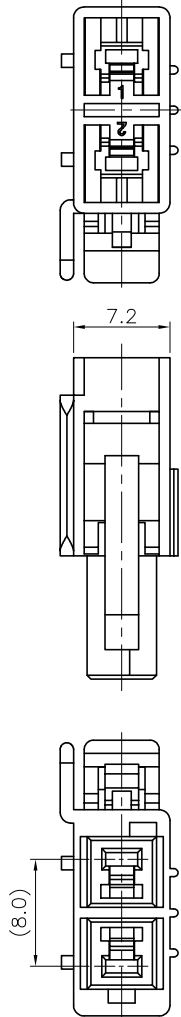
E

D

C

B

A



Specifications/技术规格:

Current rating: 5A  
 额定电流: 5A

Voltage rating: 250V AC,DC  
 额定电压: 250V AC,DC

Insulation Resistance: 1000MΩ Min.  
 绝缘电阻: 最小1000MΩ

Dielectric Withstanding: 1500V AC 1Min  
 耐电压: 1500V AC 1分钟

Contact Resistance: 20mΩ Max.  
 接触电阻: 最大20mΩ

Glow wire test:750°C  
 灼热丝试验: 750°C

Operating Temperature:-25°C to +85°C  
 工作温度: -25°C 到85°C

Materials/材料:

Insulation Material: Nylon UL94V-0  
 绝缘体塑胶材质: 尼龙 UL94V-0



ROHS

浙江快利电子有限公司  
 Zhejiang Kuaili Electronic Co., Ltd

GENERAL TOLERANCE	
X.* ± 3'	.XXX: --
.X* ± 2'	.XX : ±0.30
.XX* ± 1'	.X : ±0.30
.XXX* ± 0.5'	X. : --

DESIGN: HELLER	DATE: 2019-8-16
CHECKED: 朱建慧	DATE: 2019-8-16
APPROVED: 朱建华	DATE: 2019-8-16

DWG. NO.	35965-9220
PART NO.	

TITLE.	35965 母端胶壳
--------	------------

REV.	UNIT.	SCALE.	
A	MM	1:1	

1 2 3 4 5 6 7 8 9