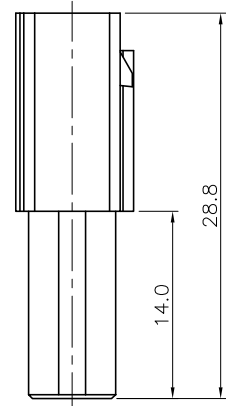
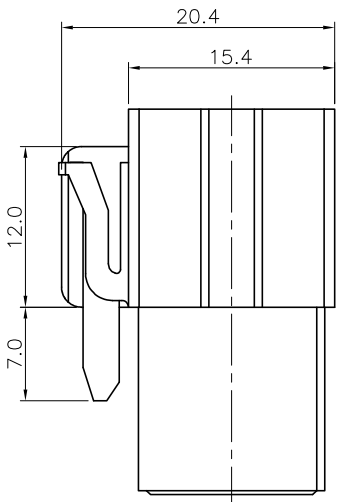
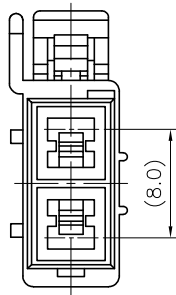
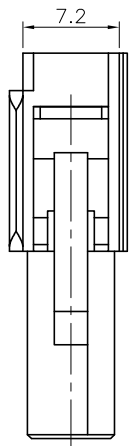
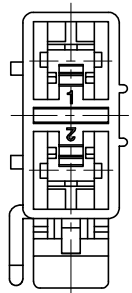
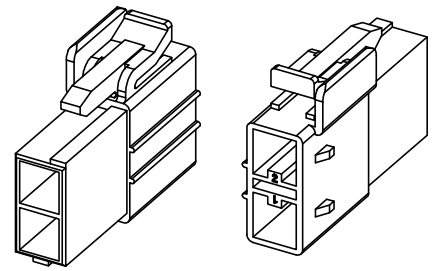


1 2 3 4 5 6 7 8 9

REV.	ECN NO	DESCRIPTION	REVISED	DATE
A		新订图面	HELLER	2019.8.16

受控



Specifications / 技术规格:

- Current rating: 5A
额定电流: 5A
- Voltage rating: 250V AC, DC
额定电压: 250V AC, DC
- Insulation Resistance: 1000MΩ Min.
绝缘电阻: 最小1000MΩ
- Dielectric Withstanding: 1500V AC 1Min
耐电压: 1500V AC 1分钟
- Contact Resistance: 20mΩ Max.
接触电阻: 最大20mΩ
- Glow wire test: 750°C
灼热丝试验: 750°C
- Operating Temperature: -25°C to +85°C
工作温度: -25°C 到 85°C

Materials / 材料:

- Insulation Material: Nylon UL94V-0
- 绝缘体塑胶材质: 尼龙 UL94V-0

ROHS



浙江快利电子有限公司
Zhejiang Kuaili Electronic Co., Ltd

GENERAL TOLERANCE	
X* ± 3'	.XXX: --
.X* ± 2'	.XX : ±0.30
.XX* ± 1'	.X : ±0.30
.XXX* ± 0.5'	X. : --

DESIGN: HELLER	DATE: 2019-8-16
CHECKED: 朱建慧	DATE: 2019-8-16
APPROVED: 朱建华	DATE: 2019-8-16

DWG. NO.	35965-9210
PART NO.	

TITLE.	35965 母端胶壳
--------	------------

REV. A	UNIT. MM	SCALE. 1:1	
--------	----------	------------	--

1 2 3 4 5 6 7 8 9