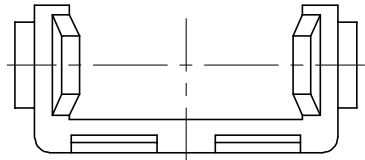


1 2 3 4 5 6 7 8 9

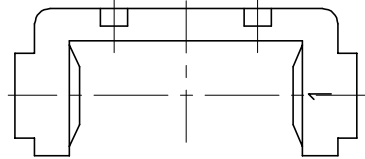
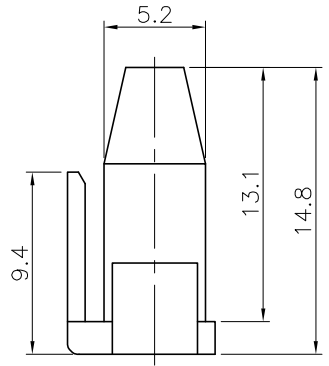
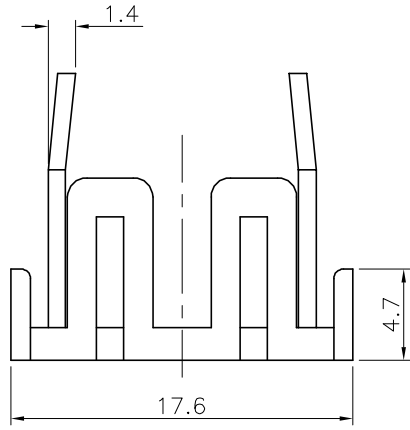
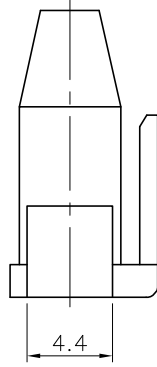
受控

ROHS

REV.	ECN NO	DESCRIPTION	REVISED	DATE
A		新订图面	HELLER	2019.8.16



- NOTES
- MATERIAL : NYLON (UL94V-2)
 - COLOR : 35965-0290 (NATURAL)
35965-0292 (RED)
35965-0293 (YELLOW)
35965-0294 (BLUE)



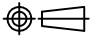
 浙江快利电子有限公司
Zhejiang Kuaili Electronic Co., Ltd

GENERAL TOLERANCE	
X* ± 3'	.XXX: ±0.10
.X* ± 2'	.XX : ±0.15
.XX* ± 1'	.X : ±0.25
.XXX* ± 0.5'	X. : ±0.35

DESIGN:	HELLER	DATE:	2019-8-16
CHECKED:	朱建慧	DATE:	2019-8-16
APPROVED:	朱建华	DATE:	2019-8-16

DWG. NO.	
PART NO.	35965-0292

TITLE.	35965 锁条
--------	----------

REV.	A	UNIT.	MM	SCALE.	1:1	
------	---	-------	----	--------	-----	---

1 2 3 4 5 6 7 8 9