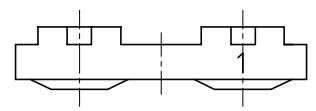
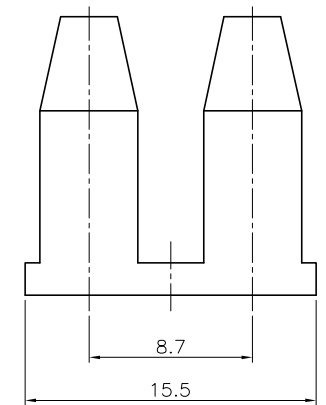
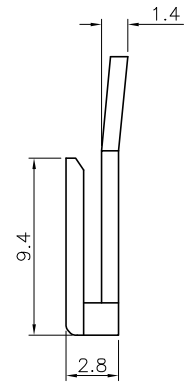
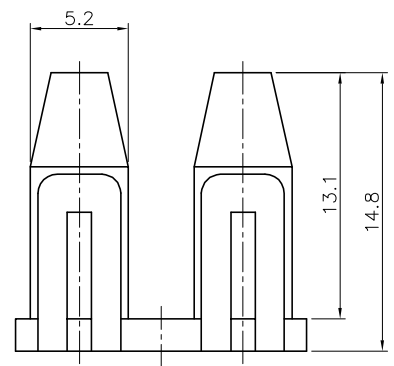
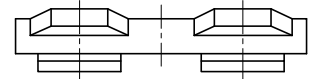


1 2 3 4 5 6 7 8 9

ROHS

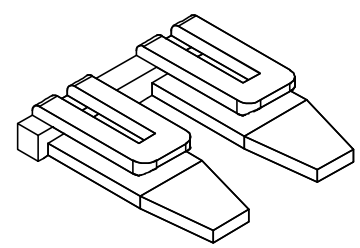
REV.	ECN NO	DESCRIPTION	REVISED	DATE
A		新订图面	HELLER	2019.8.16

受控



NOTES

1. MATERIAL : NYLON (UL94V-2)
2. COLOR : 35182-0290 (NATURAL)
35182-0292 (RED)
35182-0293 (YELLOW)
35182-0294 (BLUE)



 浙江快利电子有限公司
Zhejiang Kuaili Electronic Co., Ltd

GENERAL TOLERANCE

X* ± 3'	.XXX: --
.X* ± 2'	.XX : ±0.30
.XX* ± 1'	.X : ±0.30
.XXX* ± 0.5'	X. : --

DESIGN: HELLER

DATE: 2019-8-16

DWG. NO.

TITLE.

CHECKED: 朱建慧

DATE: 2019-8-16

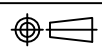
PART NO.

35182 锁条

APPROVED: 朱建华

DATE: 2019-8-16

35182-029*

REV.	UNIT.	SCALE.	
A	MM	1:1	

1 2 3 4 5 6 7 8 9