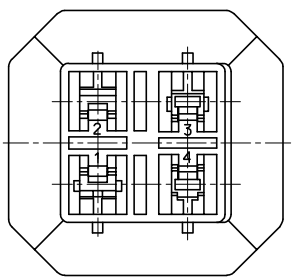


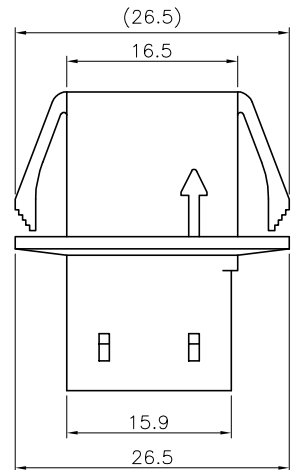
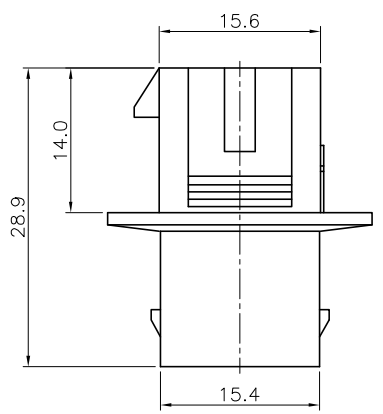
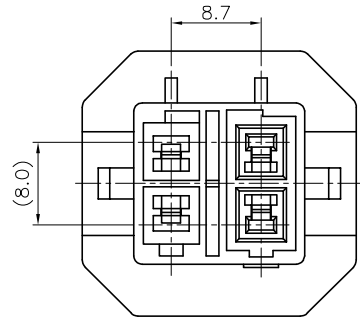
1 2 3 4 5 6 7 8 9

受控

REV.	ECN NO	DESCRIPTION	REVISED	DATE
A		新订图面	HELLER	2019.8.16



A向



A向

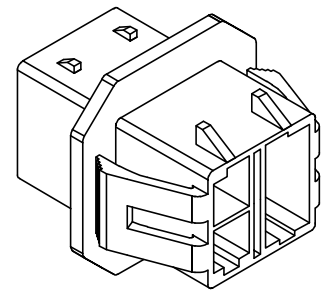
Specifications / 技术规格:

Current rating: 7A
 额定电流: 7A
 Voltage rating: 300V AC,DC
 额定电压: 300V AC,DC
 Insulation Resistance: 100M ΩMin.
 绝缘电阻: 最小100MΩ
 Dielectric Withstanding: 1500V AC 1Min
 耐电压: 1500V AC 1分钟
 Contact Resistance: 20mΩ Max.
 接触电阻: 最大20mΩ
 Glow wire test: 750°C
 灼热丝试验: 750°C
 Operating Temperature: -25°C to +85°C
 工作温度: -25°C 到 85°C

Materials / 材料:

Insulation Material: Nylon UL94V-0
 绝缘体塑胶材质: 尼龙 UL94V-0

ROHS



浙江快利电子有限公司
 Zhejiang Kuaili Electronic Co., Ltd

GENERAL TOLERANCE	
X* ± 3*	.XXX: ±--
.X* ± 2*	.XX: ±0.30
.XX* ± 1*	.X: ±0.30
.XXX* ± 0.5*	X: ±--

DESIGN:	HELLER	DATE:	2019-8-16
CHECKED:	朱建慧	DATE:	2019-8-16
APPROVED:	朱建华	DATE:	2019-8-16

DWG. NO.	35180-0409
PART NO.	

TITLE:
 .070 MULTI W/W CONN
 MALE HSG-4P

REV.	UNIT.	SCALE.	
A	MM	1:1	

1 2 3 4 5 6 7 8 9