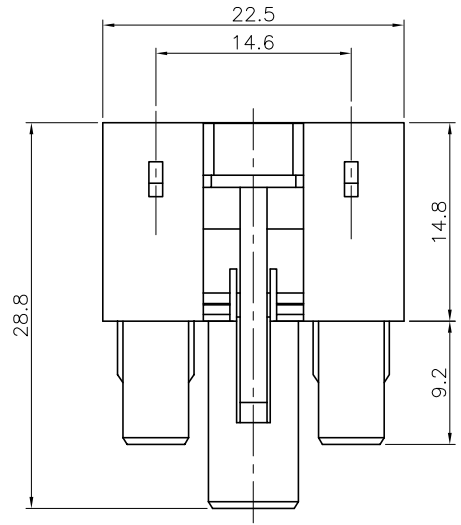
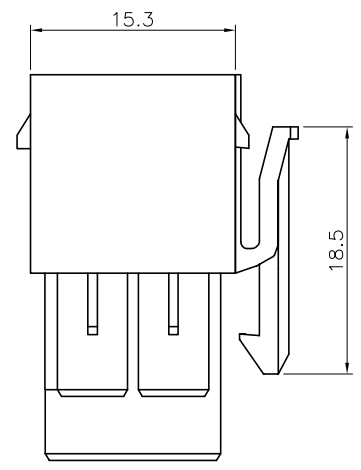
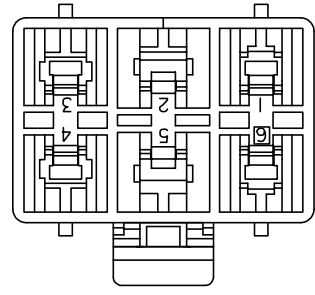
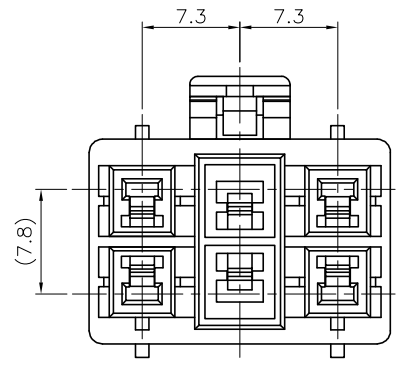


REV.	ECN NO	DESCRIPTION	REVISED	DATE
A		新订图面	HELLER	2019.8.16

受控

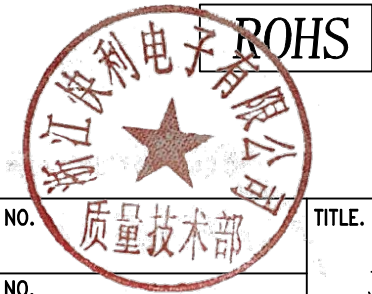


Specifications/技术规格:

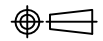
Current rating: 5A
 额定电流: 5A
 Voltage rating: 250V AC,DC
 额定电压: 250V AC,DC
 Insulation Resistance: 1000MΩ Min.
 绝缘电阻: 最小1000MΩ
 Dielectric Withstanding: 1500V AC 1Min
 耐电压: 1500V AC 1分钟
 Contact Resistance: 20mΩ Max.
 接触电阻: 最大20mΩ
 Glow wire test: 750°C
 灼热丝试验: 750°C
 Operating Temperature: -25°C to +85°C
 工作温度: -25°C 到85°C

Materials/材料:

Insulation Material: Nylon UL94V-0
 绝缘体塑胶材质: 尼龙 UL94V-0



 浙江快利电子有限公司
 Zhejiang Kuaili Electronic Co., Ltd

REV.	UNIT.	SCALE.	
A	MM	1:1	

GENERAL TOLERANCE	
X* ± 3'	.XXX: ±--
.X* ± 2'	.XX: ±0.30
.XX* ± 1'	.X: ±0.30
.XXX* ± 0.5'	X: ±--

DESIGN: HELLER	DATE: 2019-8-16
CHECKED: 朱建慧	DATE: 2019-8-16
APPROVED: 朱建华	DATE: 2019-8-16

DWG. NO.	
PART NO.	35151-0619

TITLE:	35151 母端胶壳
--------	------------