

REV.	ECN NO	DESCRIPTION	REVISED	DATE
A		新订图面	HELLER	2019.8.16

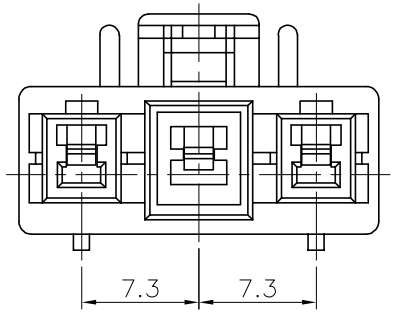
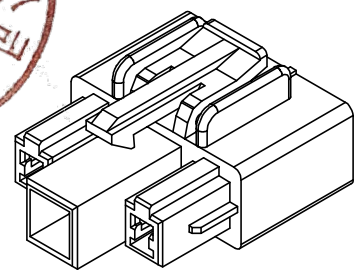
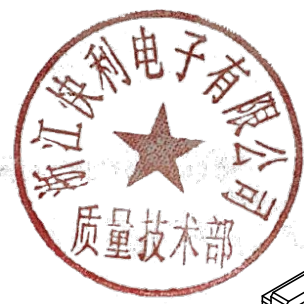
受控

Specifications / 技术规格:

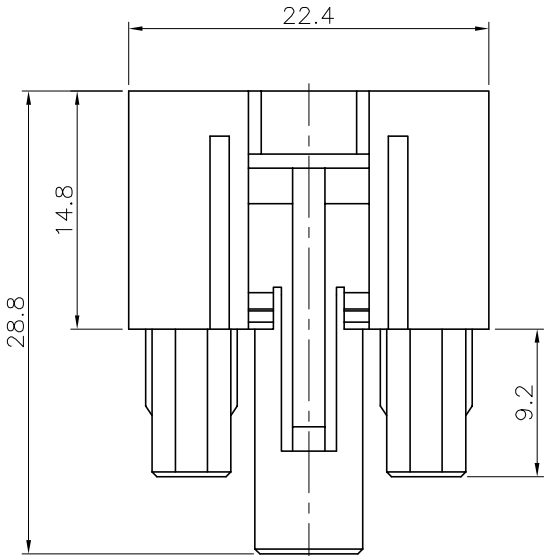
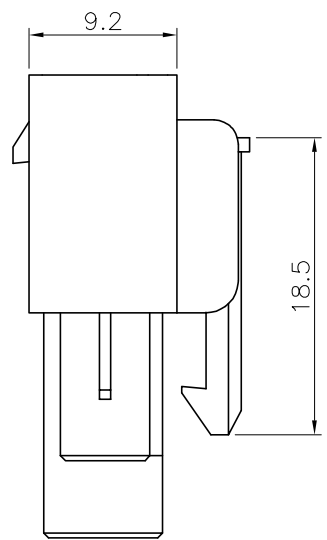
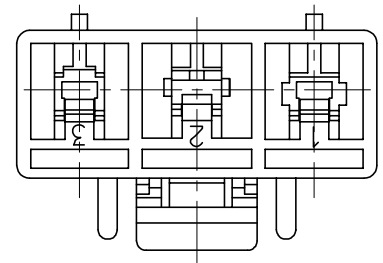
Current rating: 5A
 额定电流: 5A
 Voltage rating: 250V AC,DC
 额定电压: 250V AC,DC
 Insulation Resistance: 1000MΩ Min.
 绝缘电阻: 最小1000MΩ
 Dielectric Withstanding: 1500V AC 1Min
 耐电压: 1500V AC 1分钟
 Contact Resistance: 20mΩ Max.
 接触电阻: 最大20mΩ
 Glow wire test: 750°C
 灼热丝试验: 750°C
 Operating Temperature: -25°C to +85°C
 工作温度: -25°C 到 85°C

Materials / 材料:
 Insulation Material: Nylon UL94V-0
 绝缘体塑胶材质: 尼龙 UL94V-0

ROHS



A向



A向

浙江快利电子有限公司
 Zhejiang Kuaili Electronic Co., Ltd

GENERAL TOLERANCE	
X.* ± 3'	.XXX: ±0.10
.X* ± 2'	.XX: ±0.15
.XX* ± 1'	.X: ±0.25
.XXX* ± 0.5'	X: ±0.35

DESIGN: HELLER	DATE: 2019-8-16
CHECKED: 朱建慧	DATE: 2019-8-16
APPROVED: 朱建华	DATE: 2019-8-16

DWG. NO.	35151-0319
PART NO.	

TITLE:
 35151 母端胶壳

REV. A	UNIT. MM	SCALE. 1:1	
--------	----------	------------	--