

1 2 3 4 5 6 7 8 9

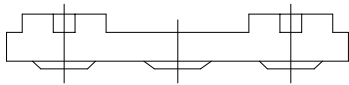
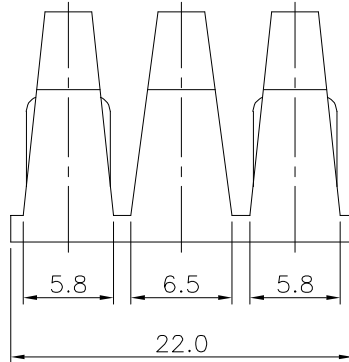
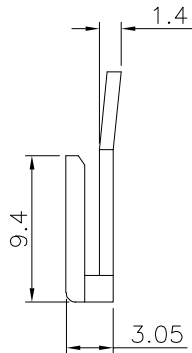
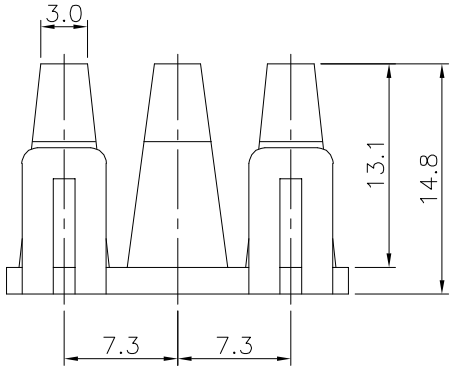
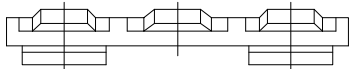
ROHS

REV.	ECN NO	DESCRIPTION	REVISED	DATE
A		新订图面	HELLER	2019.8.16

受控

NOTES

- 1. MATERIAL : NYLON 66 (UL94V-2)
- 2. COLOR : 35150-0390 (NATURAL)
 35150-0392 (RED)
 35150-0393 (YELLOW)
 35150-0394 (BLUE)



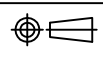
 浙江快利电子有限公司
 Zhejiang Kuaili Electronic Co., Ltd

GENERAL TOLERANCE	
X.* ± 3'	.XXX: --
.X* ± 2'	.XX : ±0.30
.XX* ± 1'	.X : ±0.30
.XXX* ± 0.5'	X. : --

DESIGN:	HELLER	DATE:	2019-8-16
CHECKED:	朱建慧	DATE:	2019-8-16
APPROVED:	朱建华	DATE:	2019-8-16

DWG. NO.	
PART NO.	35150-039*

TITLE:
 35150 锁条

REV.	A	UNIT.	MM	SCALE.	1:1	
------	---	-------	----	--------	-----	---

1 2 3 4 5 6 7 8 9