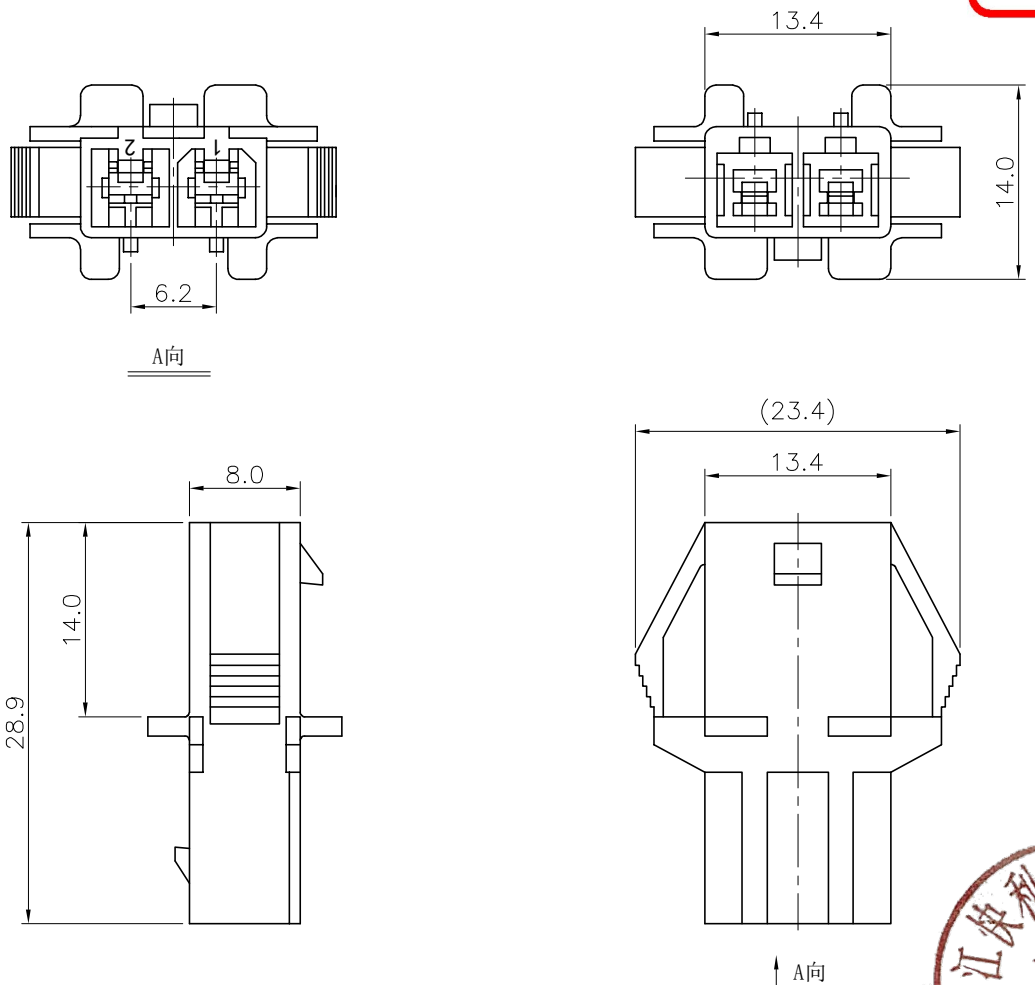


1 2 3 4 5 6 7 8 9

受控

REV.	ECN NO	DESCRIPTION	REVISED	DATE
A		INITIAL RELEASE	HELLER	2019.8.16

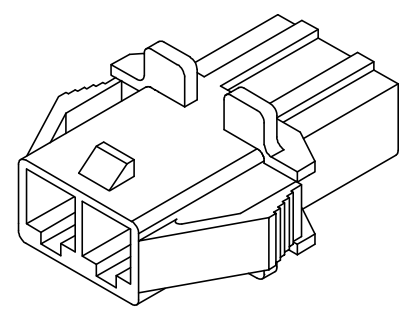


**Specifications / 技术规格:**

Current rating: 7A  
 额定电流: 7A  
 Voltage rating: 300V AC,DC  
 额定电压: 300V AC, DC  
 Insulation Resistance: 100MΩ Min.  
 绝缘电阻: 最小100MΩ  
 Dielectric Withstanding: 1500V AC 1Min  
 耐电压: 1500V AC 1分钟  
 Contact Resistance: 20mΩ Max.  
 接触电阻: 最大20mΩ  
 Glow wire test: 750°C  
 灼热丝试验: 750°C  
 Operating Temperature: -25°C to +85°C  
 工作温度: -25°C 到 85°C

**Materials / 材料:**  
 Insulation Material: Nylon UL94V-0  
 绝缘体塑胶材质: 尼龙 UL94V-0

ROHS



**浙江快利电子有限公司**  
 Zhejiang Kuaili Electronic Co., Ltd

GENERAL TOLERANCE	
X* ± 3*	.XXX: ±--
.X* ± 2*	.XX: ±0.30
.XX* ± 1*	.X: ±0.30
.XXX* ± 0.5*	X: ±--

DESIGN: HELLER	DATE: 2019-8-16
CHECKED: 朱建慧	DATE: 2019-8-16
APPROVED: 朱建华	DATE: 2019-8-16

DWG. NO.	35150-0219
PART NO.	

**TITLE.**  
 6.2 PITCH W/W CONN  
 MALE HSG-2P(W/EAR)

REV.	UNIT.	SCALE.	
A	MM	1:1	

1 2 3 4 5 6 7 8 9