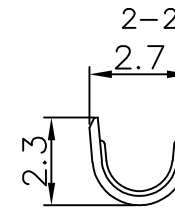
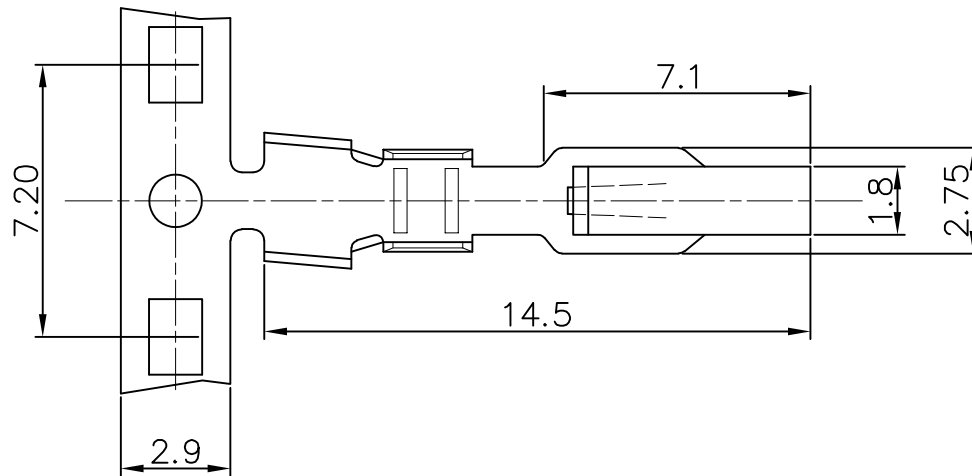
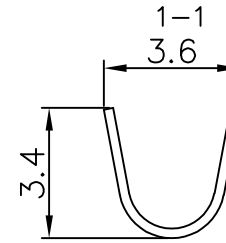
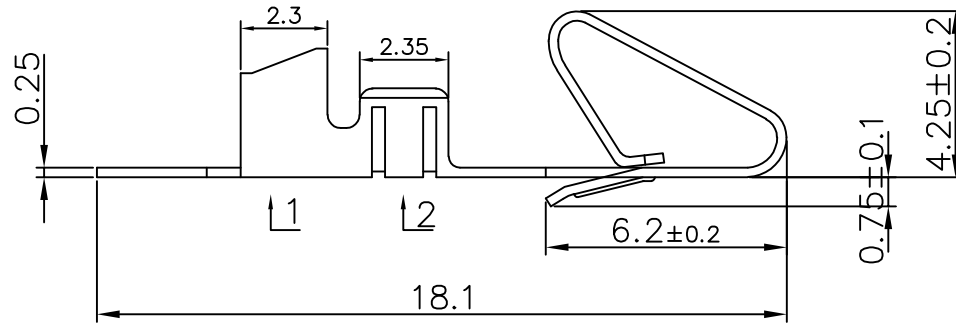


REV.	ECN NO	DESCRIPTION	REVISED	DATE
A		新订图面	HELLER	2016.6.29



Specifications / 技术规格:

Current Rating: 5A  
 额定电流: 5A  
 Insulation Resistance: 1000MΩ Min.  
 绝缘电阻: 最小1000MΩ  
 Dielectric Withstanding: 1500V AC  
 耐电压: 1500V AC  
 Contact Resistance: 20mΩ Max.  
 接触电阻: 最大20mΩ  
 Operating Temperature: -25°C to +85°C  
 工作温度: -25°C 到 85°C

Materials / 材料:

Contact Material: Phosphor Bronze(Sn plating)  
 接触端子材料: 磷铜(镀锡)

 浙江快利电子有限公司  
 ZheJiang KuaiLi Electronic Co., LTD.

GENERAL TOLERANCE

X.: ± 3°	X.: ± 0.35
.X: ± 2°	X.X: ± 0.25
.XX: ± 1°	X.XX: ± 0.15
.XXX: ± 0.5°	X.XXX: ± 0.10

DESIGN: HELLER

DATE: 2016-06-29

DWG. NO.

TITLE.

CHECKED:

DATE:

PART NO.

3.96-TE

APPROVED:

DATE:

KL-3.96-TE

REV.	UNIT.	SCALE.	PAGE.	PROJ.
A	mm	-	1/1	