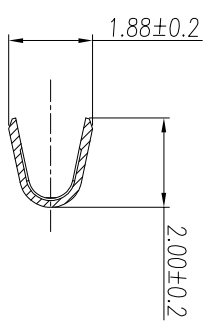
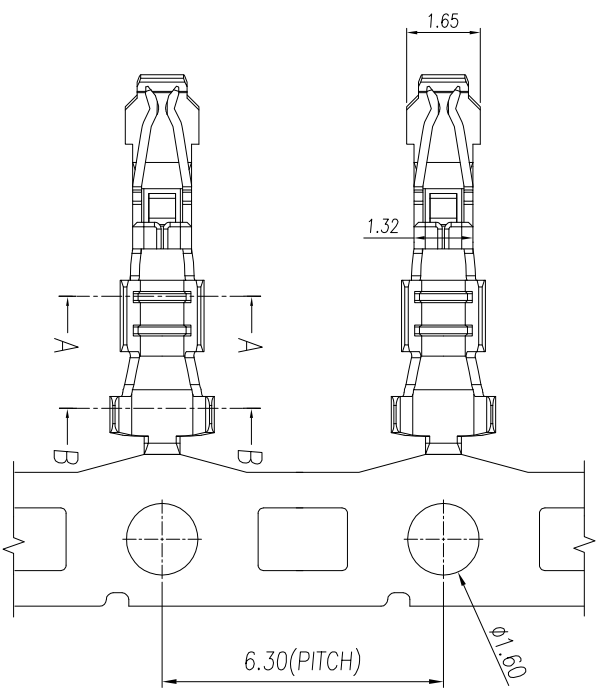
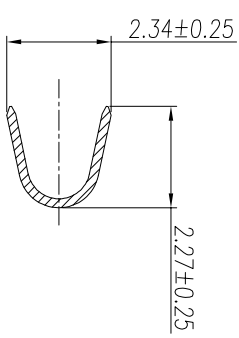


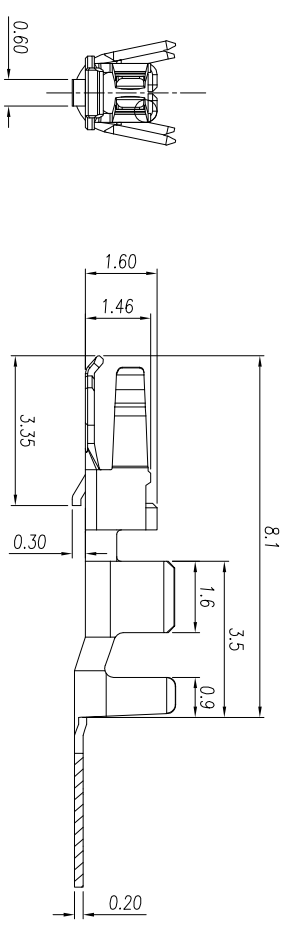
REV.	ECN NO.	DESCRIPTION	REVISED	DATE
A		新订图面	HELLER	2022.7.29



SECT. A-A



SECT. B-B



Specifications / 技术规格:

- Current Rating: 3A
- 额定电流: 3A
- Voltage rating: 250V AC, DC
- 额定电压: 250V AC, DC
- Insulation Resistance: 1000 MΩ Min.
- 绝缘电阻: 最小1000MΩ
- Dielectric Withstanding: 800V AC
- 耐电压: 800V AC
- Contact Resistance: 20mΩ Max.
- 接触电阻: 最大20mΩ
- Operating Temperature: -25°C to +85°C
- 工作温度: -25°C 到 85°C
- Materials / 材料:
- Contact Material: Phosphor Bronze (Tin plated)
- 接触端子材料: 磷铜(镀锡)

 浙江快利电子有限公司 Zhejiang Kuaili Electronic Co., Ltd.	REV. B	UNIT. MM	SCALE. -		GENERAL TOLERANCE X° ± X. X° ± X. .XXX ± 0.5	DESIGN: 瞿益远 CHECKED: 朱建慧 APPROVED: 朱建华	DATE: 2022.7.29 DATE: 2022.7.29 DATE: 2022.7.29	DWG. NO. PART NO. KL-2053-TE	TITLE: 2053-TE 端子
--	--------	----------	----------	--	--	---	--	---	-----------------------------