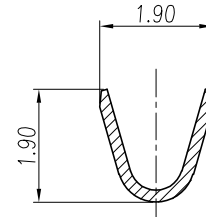
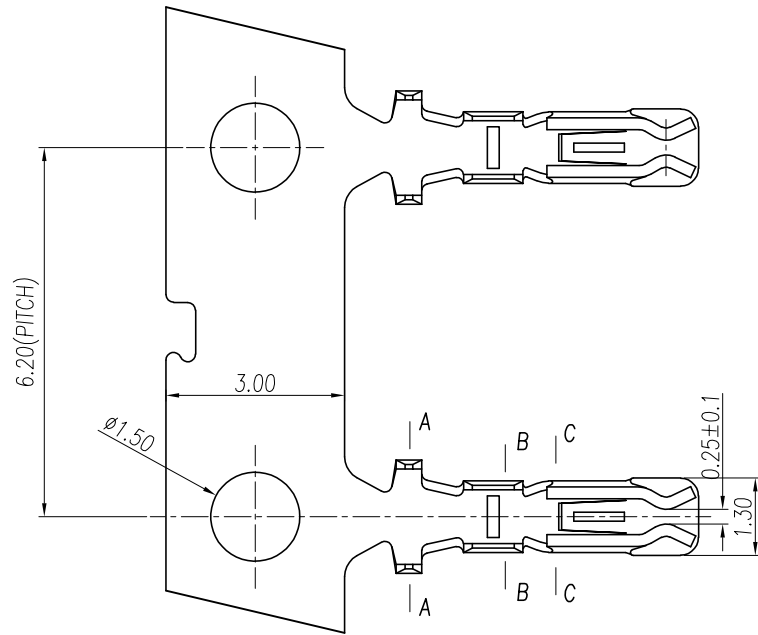
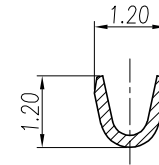


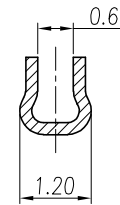
REV.	ECN NO	DESCRIPTION	REVISED	DATE
A		新订图面	HELLER	2016.3.29



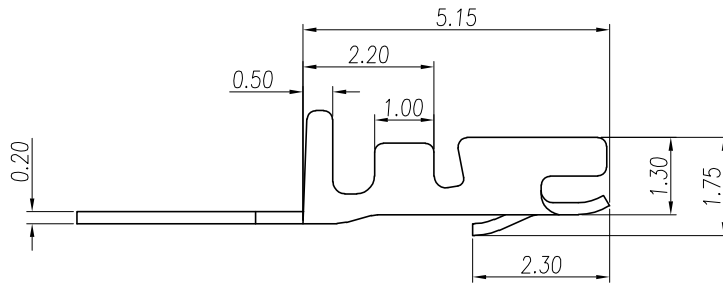
SECT. A-A



SECT. B-B



SECT. C-C



Specifications / 技术规格:

Current Rating: 4A
 额定电流: 2A
 Insulation Resistance: 1000 MΩ Min.
 绝缘电阻: 最小1000MΩ
 Dielectric Withstanding: 1500V AC
 耐压: 800V AC
 Contact Resistance: 10mΩ Max.
 接触电阻: 最大10mΩ
 Operating Temperature: -25°C to +85°C
 工作温度: -25°C 到 85°C

Materials / 材料:

Contact Material: Phosphor Bronze(Tin plating)
 接触端子材料: 磷铜(镀锡)

 浙江快利电子有限公司
 ZheJiang KuaiLi Electronic Co., Ltd.

GENERAL TOLERANCE

X° ± X'	X	±0.35
.X° ± X.	.X	±0.25
.XX° ± 1'	.XX	±0.15
.XXX° ± 0.5'	.XXX	±0.10

DESIGN: HELLER

DATE: 2016.3.29

DWG. NO.

TITLE.

CHECKED:

DATE:

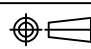
PART NO.

1801-TE

APPROVED:

DATE:

KL-1801-TE

REV.	UNIT.	SCALE.	
A	MM	-	