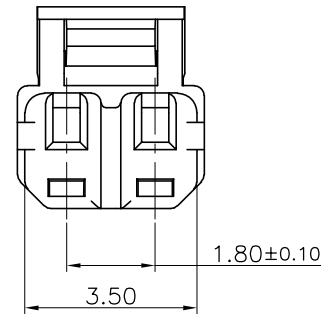
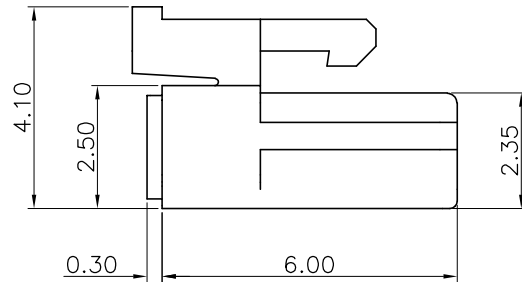
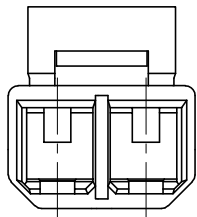
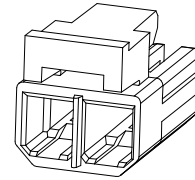
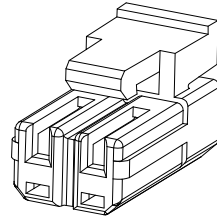
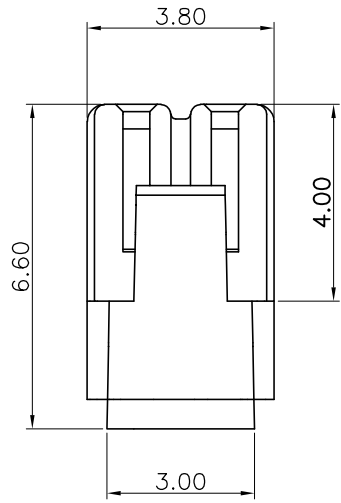


REV.	ECN NO	DESCRIPTION	REVISED	DATE
A		新订图面	QYY	2016.3.30



SPECIFICATIONS:

- 1.Operation temperature : -25~+85°C;
- 2.Crrnt rating: 2.0A;
- 3.Voltag rating: 250V DC/AC;
- 4.Contact resistance: 10mΩ max;
- 5.Insulation resistance: 1000MΩ min;
- 6.Dielectric voltage: 800V AC /1minute;
- 7.Environmental requirement:according to ROHS standard.

MATERIAL:

Insulation Material: PA or PBT UL94V-0

 浙江快利电子有限公司
ZheJiang KuaiLi Electronic Co., LTD.

GENERAL TOLERANCE	
X: ±0°	X.: ±0.35
.X: ±0°	X.X: ±0.25
.XX: ±0°	X.XX: ±0.15
.XXX: ±0.5°	X.XXX: ±0.10

DESIGN:	瞿益远
CHECKED:	
APPROVED:	

DATE:	2016-03-30
DATE:	
DATE:	

DWG. NO.	
PART NO.	KL-1801-2Y

TITLE.	1801-2Y
--------	---------

REV.	UNIT.	SCALE.	PROJ.
A	mm	-	