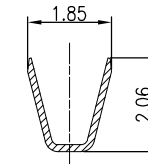
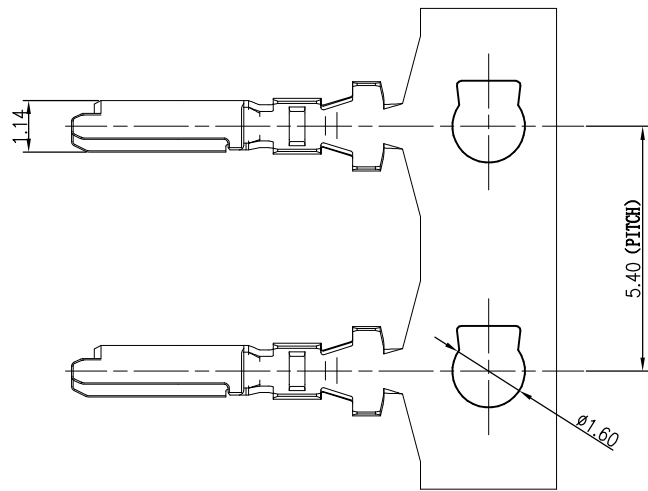
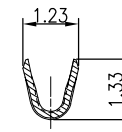


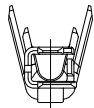
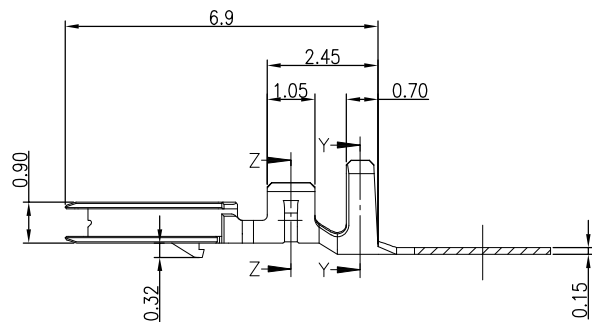
REV.	ECN NO	DESCRIPTION	REVISED	DATE
A		New drawing	HELLER	21.06.06



SECTION Y-Y



SECTION Z-Z



Specifications /技术规格:

Current Rating: 1A  
额定电流: 1A

Insulation Resistance: 500 MΩ Min.  
绝缘电阻: 最小500MΩ

Dielectric Withstanding: 500V AC  
耐电压: 500V AC

Contact Resistance: 20mΩ Max.  
接触电阻: 最大20mΩ

Operating Temperature: -25°C to +85°C  
工作温度: -25°C 到 85°C

Materials /材料:

Contact Material: Phosphor Bronze(Tin plating)  
接触端子材料: 磷铜(镀锡)

GENERAL TOLERANCE	
X. <sup>°</sup> ± 3'	X. --
.X <sup>°</sup> ± 2'	.X ± 0.30
.XX <sup>°</sup> ± 1'	.XX ± 0.20
.XXX <sup>°</sup> ± 0.5'	.XXX --

DESIGN:	HELLER	DATE:	21.06.06
CHECKED:	瞿益远	DATE:	21.06.06
AUDITED:	朱建慧	DATE:	21.06.06
APPROVED:	朱建华	DATE:	21.06.06

DWG. NO.	-----
PART NO.	KL-1502-TE

TITLE.	1502-TE
--------	---------

REV.	A	UNIT.	MM	SCALE.	-	
------	---	-------	----	--------	---	--

浙江快利电子有限公司  
Zhejiang Kuaili Electronic Co., Ltd